

Model Number

IRI-KHD2-4HB6

Control interface unit System IV with PROFIBUS DP interface

Features

- PROFIBUS DP acc. to EN 50170
- 4 read heads can be connected
- Transmission of all read fix codes in one cycle
- Address adjustment via DIP switches
- Connectable bus termination
- 3 LEDs per read head for function indication
- LED for power on / bus communication

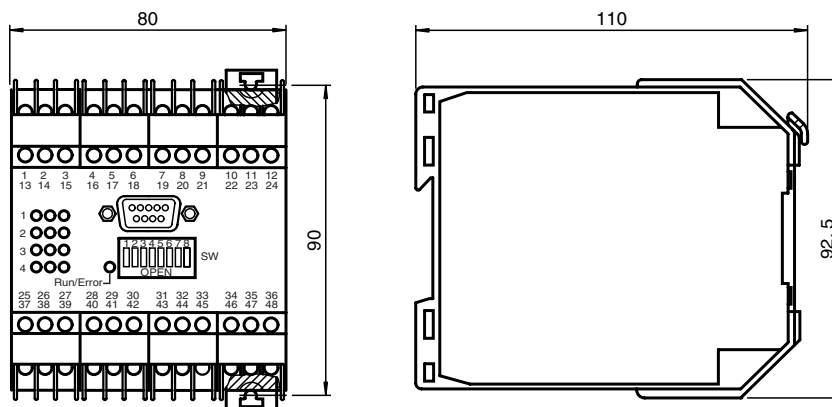
Function

The control interface unit is operated as a slave on the PROFIBUS-DP. Up to 4 read heads can be connected to the control interface unit. All read heads connected to the device are detected and the codes which are read in transmitted in a cycle. The address is set via DIP switches, and the terminating resistor for the bus is connected via a rotary switch.

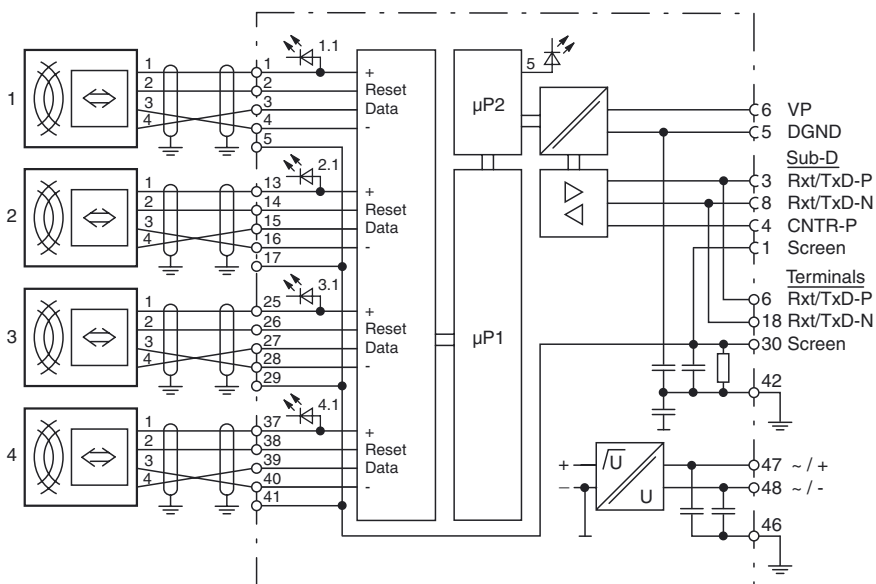
Software

The GSD file is included in the scope of delivery.

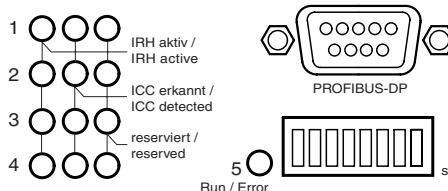
Dimensions



Electrical connection



Indicating / Operating means



Release date: 2015-03-26 12:24 Date of issue: 2015-03-26 050807_eng.xml

Technical data**General specifications**

Number of reading heads	max. 4
-------------------------	--------

Indicators/operating means

LED green	read head active (4 LEDs, 1 per head)
LED yellow	code carrier detected (4 LEDs, 1 per head)
LED red	reserved (4 LEDs, 1 per head)
LED red/green	device status permanent green: device operating / bus communication active red-green flashing: device operational / bus communication faulty permanent red: device errors
DIP-switch	setting the station address
Rotary switch	bus termination 0 = not active 1 = active

Electrical specifications

Rated operating voltage	U_e	18 ... 30 V DC , ripple 10 % _{SS}
No-load supply current	I_0	≤ 120 mA , with active read head 190 mA
Current consumption		250 mA
Power consumption	P_0	6 W

Interface

Physical	RS-485
Protocol	PROFIBUS DP acc. to EN 50170
Transfer rate	9.6 ; 19.2 ; 44.44 ; 93.75 ; 187.5 ; 500 ; 1500 Bit/s (planned 12000) all self synchronising

Ambient conditions

Ambient temperature	-25 ... 70 °C (-13 ... 158 °F)
Storage temperature	-25 ... 85 °C (-13 ... 185 °F)
Climatic conditions	air humidity max. 75 %

Mechanical specifications

Degree of protection	IP20 according to EN 60529
Connection	terminals, max. core cross-section 2 x 2.5 mm ² , 9-pin Sub-D built-in connector
Material	
Housing	Makrolon 6485
Construction type	K-System, 80 mm (4 TE)