



Model Number

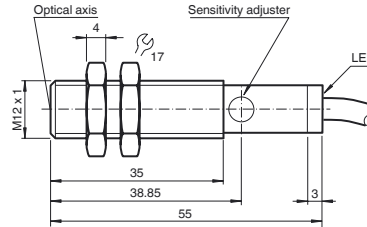
GLV12-6/36/40b/115

Retroreflective sensor
with 2 m fixed cable

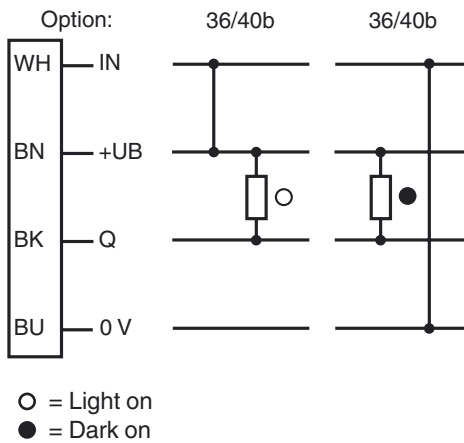
Features

- M12 threaded housing made of brass, nickel plated
- Visible red light
- Light/dark ON, programmable
- Protection degree IP67

Dimensions



Electrical connection



Release date: 2012-04-03 10:11 Date of issue: 2012-04-03 08:4773_eng.xml

Technical data**General specifications**

Effective detection range	0 ... 2000 mm
Reflector distance	50 ... 2000 mm
Threshold detection range	2500 mm
Reference target	H85 reflector
Light source	LED, 660 nm
Light type	modulated visible red light
Approvals	CE
Ambient light limit	20000 Lux

Indicators/operating means

Function display	LED yellow: switching state
Controls	sensitivity adjustment

Electrical specifications

Operating voltage	U_B	10 ... 30 V DC
Ripple		10 %
No-load supply current	I_0	≤ 20 mA
Time delay before availability	t_v	≤ 25 ms

Input

Control input	light on +UB dark on: 0 V
---------------	------------------------------

Output

Switching type	light/dark on	
Signal output	1 NPN output, short-circuit protected, reverse polarity protected, open collector	
Switching voltage	max. 30 V DC	
Switching current	max. 300 mA	
Voltage drop	U_d	≤ 3 V
Switching frequency	f	≤ 700 Hz
Response time		≤ 0.7 ms

Standard conformity

Standards	EN 60947-5-2
-----------	--------------

Ambient conditions

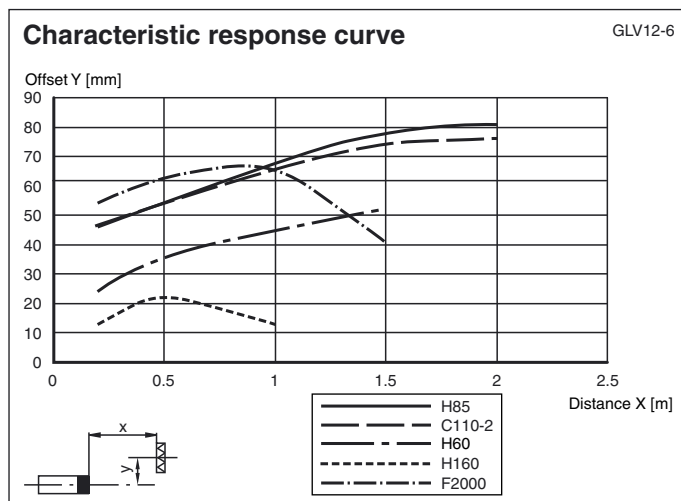
Ambient temperature	-25 ... 55 °C (-13 ... 131 °F)
Storage temperature	-40 ... 70 °C (-40 ... 158 °F)

Mechanical specifications

Protection degree	IP67
Connection	2 m fixed cable
Material	
Housing	brass, nickel-plated
Optical face	PMMA
Mass	45 g

Approvals and certificates

CCC approval	Products with a maximum operating voltage of ≤ 36 V do not bear a CCC marking because they do not require approval.
--------------	--------------------------------------------------------------------------------------------------------------------------

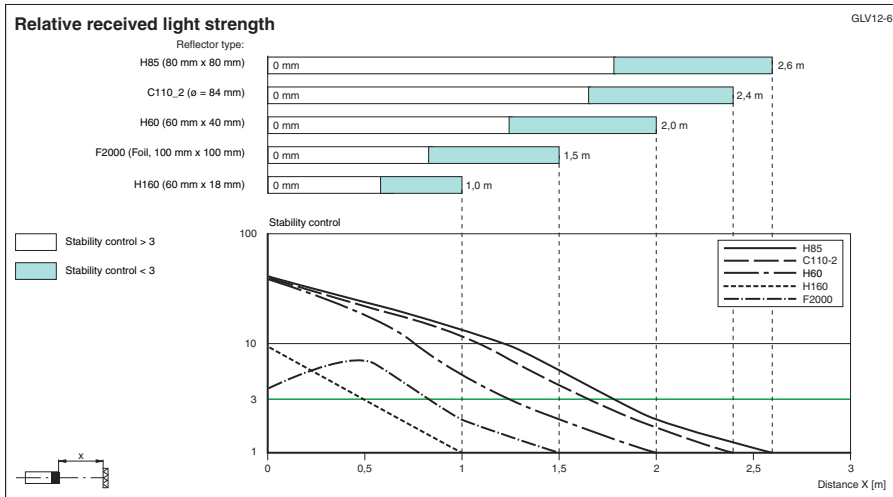
Curves/Diagrams**Accessories****BF 12**

Mounting flange, 12 mm

BF 5-30

Universal mounting bracket for cylindrical sensors with a diameter of 5 ... 30 mm

Other suitable accessories can be found at www.pepperl-fuchs.com



Release date: 2012-04-03 10:11 Date of issue: 2012-04-03 08:4773_eng.xml