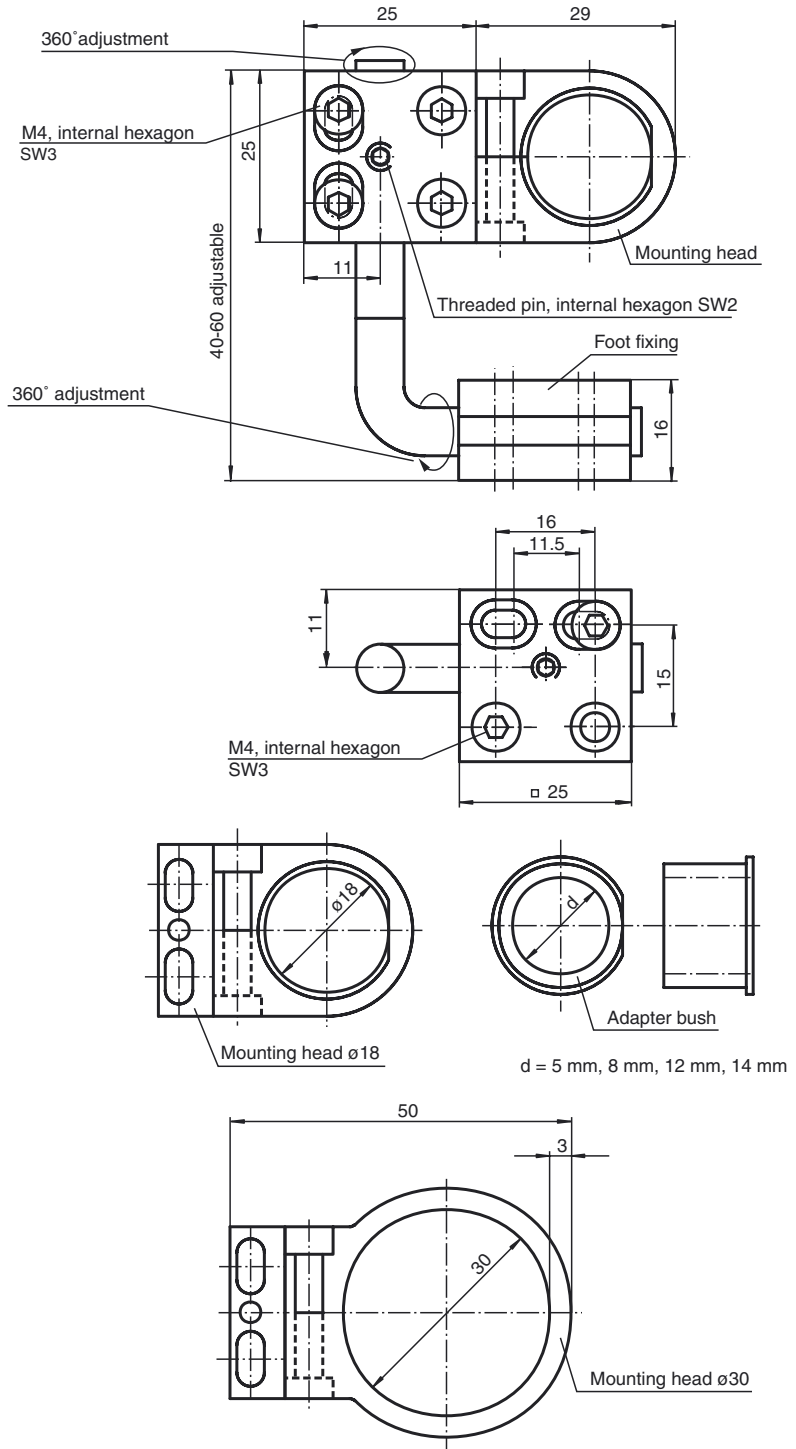




Dimensions



Model Number

BF 5-30

Universal mounting holder for cylindrical sensors with a diameter of 5 ... 30 mm

Features

- Secure fixing
- Simple mounting
- Mounting head and foot fixing may be independently rotated through 360°
- Robust construction

Technical data

Ambient conditions

Ambient temperature -25 ... 85 °C (248 ... 358 K)

Mechanical specifications

Note Also suited for threaded photodetectors in series KT10, GLV12, VL18, 18GM60, CP18 and GLV30.

Note

The mounting adapter is supplied with 2 mounting heads (ø18 mm, ø30 mm) and 4 adapter bushes (ø5 mm, ø8 mm, ø12 mm, ø14 mm).