



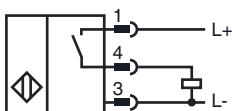
Model Number

NJ40+U4+E2-V1

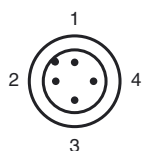
Features

- 40 mm not embeddable
- 3-wire DC
- M12 male connector

Connection



Pinout



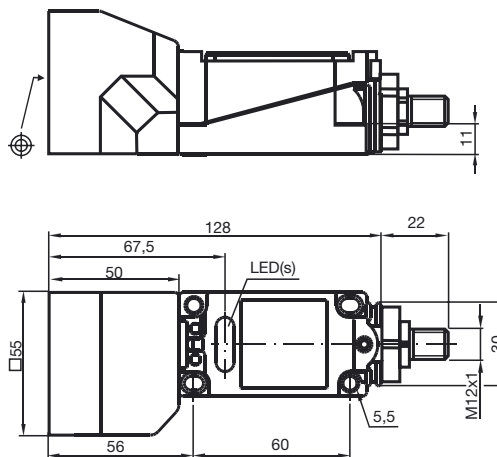
Wire colors in accordance with EN 60947-5-2

- | | |
|---|----|
| 1 | BN |
| 2 | WH |
| 3 | BU |
| 4 | BK |

Accessories

- V1-W-2M-PVC**
Cable socket, M12, 4-pin, PVC cable
- V1-G-2M-PVC**
Cable socket, M12, 4-pin, PVC cable

Dimensions



Technical Data

General specifications			
Switching element function		PNP	NO
Rated operating distance	s_n	40 mm	
Installation		not embeddable	
Output polarity		DC	
Assured operating distance	s_a	0 ... 32.4 mm	
Reduction factor r_{Al}		0.5	
Reduction factor r_{Cu}		0.45	
Reduction factor r_{V2A}		0.8	
Nominal ratings			
Operating voltage	U_B	10 ... 60 V DC	
Switching frequency	f	0 ... 100 Hz	
Hysteresis	H	1 ... 10 typ. 5 %	
Reverse polarity protected		reverse polarity protected	
Short-circuit protection		pulsing	
Voltage drop	U_d	≤ 2.8 V	
Operating current	I_L	0 ... 200 mA	
Off-state current	I_r	0 ... 0.5 mA typ. 0.01 mA	
No-load supply current	I_0	≤ 10 mA	
Operating voltage display		LED, green	
Indication of the switching state		LED, yellow	
Ambient conditions			
Ambient temperature		-25 ... 70 °C (-13 ... 158 °F)	
Storage temperature		-25 ... 85 °C (-13 ... 185 °F)	
Mechanical specifications			
Housing material		PBT	
Sensing face		PBT	
Protection degree		IP67	
Compliance with standards and directives			
Standard conformity		IEC / EN 60947-5-2:2004	
Approvals and certificates			
UL approval		cULus Listed, General Purpose	
CSA approval		cCSAus Listed, General Purpose	

Release date: 2010-11-30 23:21 Date of issue: 2010-11-30 093140_ENG.xml