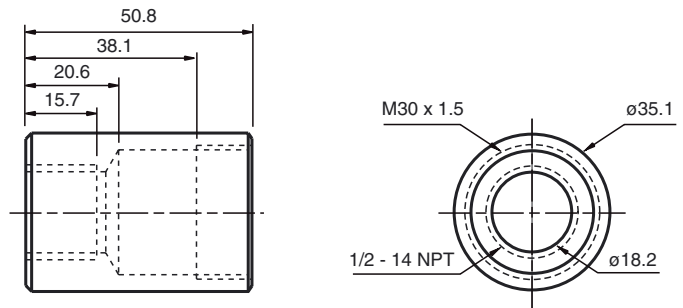




Dimensions



Technical data

Mechanical specifications

Material Stainless steel 1.4305 / AISI 303

Model Number

M 30-1/2" NPT SS

Conduit adapter

Features

- Converts 30 mm diameter to 1/2 inch NPT conduit
- For use with 30 mm diameter sensors