



Model Number

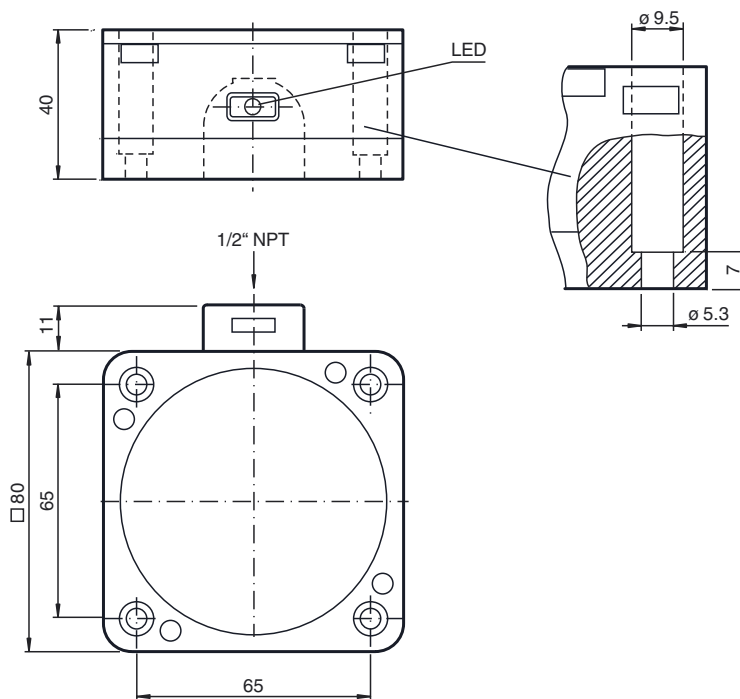
IVH-FP4-Y93903

System IV read/write head, for hazardous areas

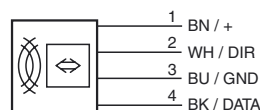
Features

- Connection via terminal compartment
- Dual-LED for function display
- Degree of protection IP67
- Use in hazardous area
- 1/2" NPT conduit entrance
- Terminal compartment filled with epoxy and 2 m cable preattached to read head

Dimensions



Electrical connection



Technical data

General specifications

Operating frequency	250 kHz
Transfer rate	7.8 kBit/s
Operating distance	maximum: 100 mm

Indicators/operating means

LED green/yellow	green: Power on yellow: Data carrier detected
------------------	--

Electrical specifications

Power consumption	P_0	1.3 W
-------------------	-------	-------

Ambient conditions

Ambient temperature	-25 ... 70 °C (-13 ... 158 °F)
Storage temperature	-40 ... 85 °C (-40 ... 185 °F)

Mechanical specifications

Cable diameter	6.8 mm
Degree of protection	IP67 according to EN 60529
Connection	2 m PVC cable grey

Material

Housing	PBT
Base	diecast aluminum
Encapsulation compound	CY 221/HY 2966

Installation

In metal	non-flush, overshoot at least 10 mm
Distance between two heads	≥ 500 mm