



### Model Number

KCM-51-C

### Features

- Electromechanical summator
- 5 decade devices
- Counter frequency 10 Hz
- Manual reset
- Power supply 24 V DC or 230 V AC
- Fixing with latch fastener for easy installation
- Protection degree IP42 in accordance with DIN EN 60529 (front only)
- Shock resistance in accordance with DIN EN 60068-2-27
- Vibration resistance in accordance with DIN EN 60068-2-6

### Technical data

#### Functional safety related parameters

MTTF <sub>d</sub>	2400 a
Mission Time (T <sub>M</sub> )	20 a
Diagnostic Coverage (DC)	0 %

#### Indicators/operating means

Type	digital display
Number of digits	5
Display value	digit height 4 mm
Reset	manually

#### Electrical specifications

Operating voltage	U <sub>B</sub>	24 V DC
Power consumption	P <sub>0</sub>	0.6 W

#### Input

Pulse length/pulse interval	50 ms / 50 ms
Counting frequency	10 Hz

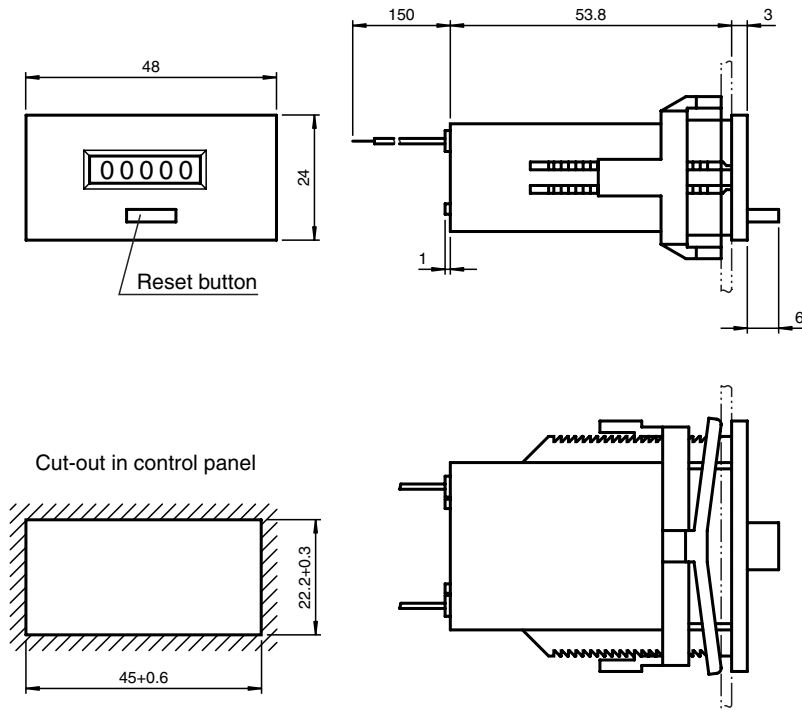
#### Ambient conditions

Ambient temperature	-10 ... 50 °C (14 ... 122 °F)
Storage temperature	-40 ... 90 °C (-40 ... 194 °F)
Relative humidity	≤ 80 % (noncondensing)

#### Mechanical specifications

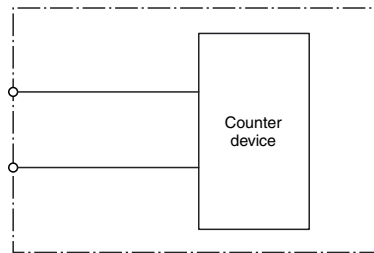
Connection	flexible leads AWG 22 150 mm long
Mass	62 g
Dimensions	48 mm x 24 mm x 59 mm
Mounting	latch fastener
Life span	> 50 x 10 <sup>6</sup> pulses

Dimensions

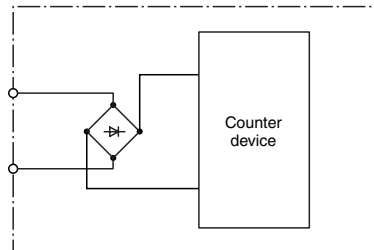


Electrical connection

DC Supply



AC Supply



Release date: 2013-10-14 14:08 Date of issue: 2013-10-15 09:29:05\_eng.xml