



Model Number

KCM-70A-V

Features

- Electromechanical summator
- 7 decade devices
- Counter frequency up to 25 Hz
- Without reset
- Power supply 24 V DC or 230 V AC
- Fixing with latching spring or latch fastener for easy installation
- Protection degree IP65 in accordance with DIN EN 60529 (front only)
- Shock resistance in accordance with DIN EN 60068-2-27
- Vibration resistance in accordance with DIN EN 60068-2-6

Technical data

Functional safety related parameters

MTTF _d	9300 a
Mission Time (T _M)	20 a
Diagnostic Coverage (DC)	0 %

Indicators/operating means

Type	digital display
Number of digits	7
Display value	digit height 4 mm

Electrical specifications

Operating voltage	U _B	230 V AC
Power consumption	P ₀	0.9 VA

Input

Pulse length/pulse interval	50 ms / 50 ms
Counting frequency	10 Hz

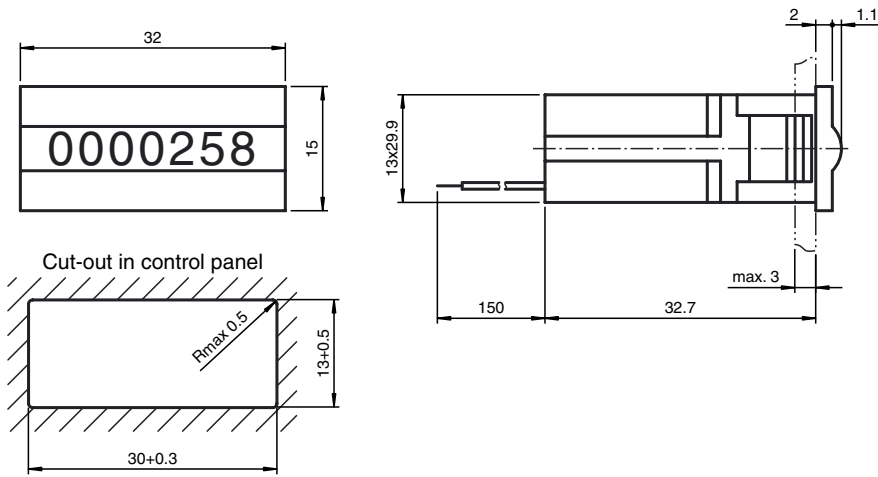
Ambient conditions

Ambient temperature	-10 ... 60 °C (14 ... 140 °F)
Storage temperature	-40 ... 90 °C (-40 ... 194 °F)
Relative humidity	≤ 80 % (noncondensing)

Mechanical specifications

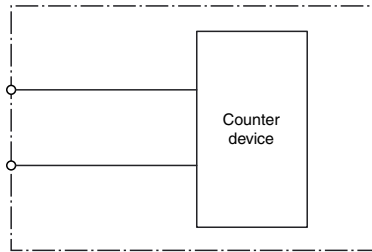
Connection	flexible leads AWG 22 150 mm long
Mass	18 g
Dimensions	32 mm x 15 mm x 36 mm
Mounting	Locating springs
Life span	> 50 x 10 ⁶ pulses

Dimensions



Electrical connection

DC Supply



AC Supply

