



Model Number

U-P6-B5
Base for INTERBUS

Features

- INTERBUS-remote bus subscriber
- 2 PG screw fittings for IN and OUT supply
- 2 EMV PG screw fittings for BUS IN and OUT
- Complete read/write functionality via the INTERBUS
- Transfer of 10 bytes of data in one cycle
- DIP switch for ring termination
- Field device with protection degree IP67

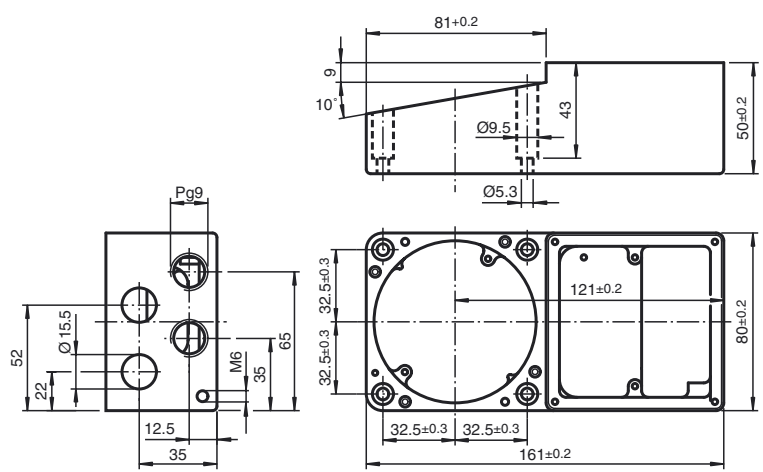
Function

The base is used in combination with an upper part, the IPT*-FP read/write station. The device is operated as a slave on the INTERBUS remote bus. The device makes available the complete read/write functionality. Up to 10 bytes are transmitted per cycle. The continuing bus is activated via DIP switch.

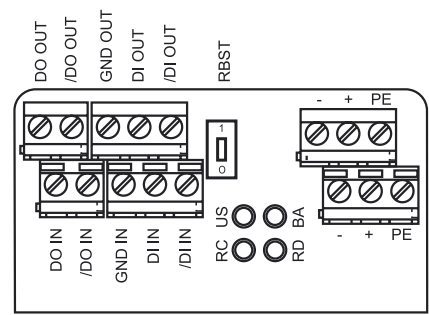
Matching system components

- IPT-FP**
Read/write station
- IPT1-FP**
Read/write station

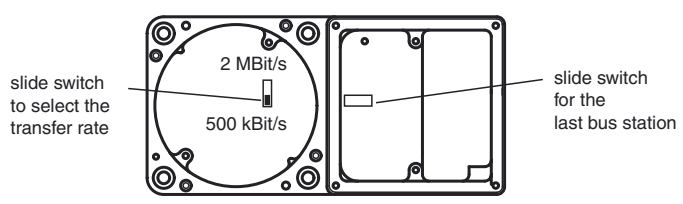
Dimensions



Electrical connection



Indicating / Operating means



Technical data

Indicators/operating means	
DIP-switch	ring termination 0 = closed 1 = bus continued
Electrical specifications	
Rated operational voltage	U_e 20 ... 30 V DC , ripple 10 % $_{SS}$, PELV
Power consumption	P_0 max. 5 W with read/write head IPT*-FP
Electrical isolation	
Operating voltage/interface	functional insulation acc. to DIN EN 50178, rated insulation voltage 50 V_{eff}
Interface	
Physical	RS 485
Protocol	INTERBUS remote bus
ID code	03
Transfer rate	500 kBit/s or 2 MBit/s internally switchable
Ambient conditions	
Ambient temperature	-25 ... 70 °C (-13 ... 158 °F)

Release date: 2011-07-19 12:11 Date of issue: 2011-07-19 099100_eng.xml

Storage temperature -40 ... 85 °C (-40 ... 185 °F)

Mechanical specifications

Protection degree IP67 according to EN 60529 with IPT*-FP

Connection screw terminals

Interface cable up to 1.5 mm²

Supply up to 3 x 1.5 mm²

Material

Housing aluminum, black anodized