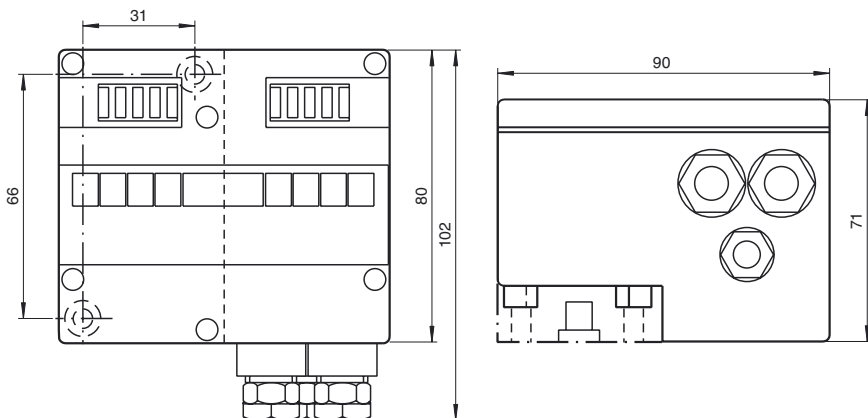
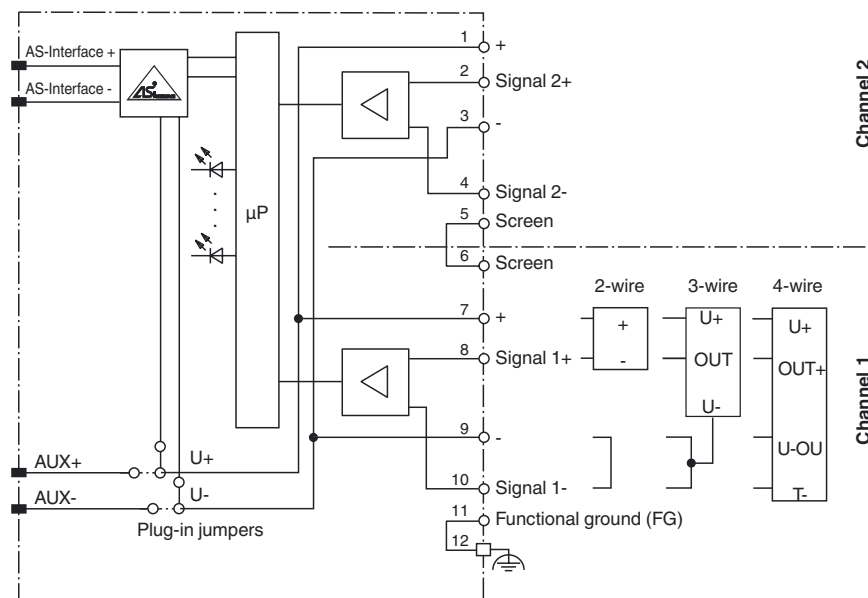


**Dimensions**



**Electrical connection**



**Model number**

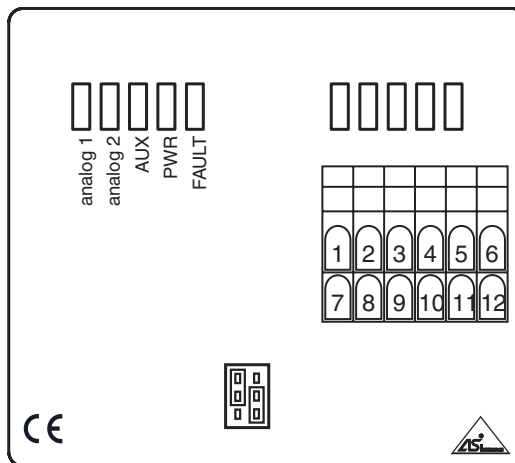
**VBA-2E-G4-U**

G4 module IP65  
2 analog inputs (voltage)

**Features**

- Protection degree IP65
- Flat or round cable connection (via standardized EEMS base, not included with delivery)
- Cable piercing method for flat cable
- Function display for bus and inputs
- Supply of inputs external or from the module, as required

**Indicating / Operating means**



**Spring terminal block:**

- |                |                |
|----------------|----------------|
| 1: 24V ext.    | 7: 24V ext.    |
| 2: Sig.+ Ch. 2 | 8: Sig.+ Ch. 1 |
| 3: 0 V ext.    | 9: 0 V ext.    |
| 4: N.C.        | 10: N.C.       |
| 5: Shield      | 11: FG         |
| 6: Shield      | 12: FG         |

**Plug-in jumper:**

- Power supply of outputs from the external auxiliary power
- Power supply of outputs from the module (AS-Interface)

Release date: 2011-07-13 15:13 Date of issue: 2014-01-13 104423\_eng.xml

**Technical data****General specifications**

Slave type	Standard slave
AS-Interface specification	V2.1
Required master specification	≥ V2.1
UL File Number	E223772

**Functional safety related parameters**

MTTF <sub>d</sub>	160 a at 30 °C
-------------------	----------------

**Indicators/operating means**

LED FAULT	error display; LED red red: communication error red flashing: peripheral error
LED PWR	AS-Interface voltage; LED green
LED ANALOG	status input signal; LED green off: not connected (peripheral error) green: $0\text{ V} \leq U \leq 11.5\text{ V}$ green flashing: $U > 11.5\text{ V}$ (peripheral error)
LED AUX	ext. auxiliary voltage $U_{\text{AUX}}$ ; LED green

**Electrical specifications**

Auxiliary voltage (output)	$U_{\text{AUX}}$	24 V DC ± 15 % PELV
Rated operating voltage	$U_e$	26.5 ... 31.6 V from AS-Interface
Rated operating current	$I_e$	≤ 80 mA
Protection class		III

**Input**

Number/Type	2 analog inputs (voltage), 0 ... 10 V
Supply	from AS-Interface or from external auxiliary voltage as required $U_{\text{AUX}}$
Current loading capacity	≤ 200 mA from AS-Interface ≤ 500 mA from external auxiliary voltage $U_{\text{AUX}}$
Input resistance	100 kΩ
Resolution	16 Bit / 1 mV

**Programming instructions**

Profile	S-7.3.D
IO code	7
ID code	3
ID2 code	D

**Data bits** (function via AS-Interface) The transfer of the data value is based on AS-Interface Profile 7.3.

**Parameter bits** (programmable via AS-i)

	function
P0	mains power frequency filter P0=1, 50 Hz filter active P0=0, 60 Hz filter active
P1	projecting of the 2nd channel P1=1, channel 2 is projected P1=0, channel 2 is not projected
P2	Message of peripheral error P2=1, peripheral error is reported P2=0, peripheral error is not reported
P3	not used

**Ambient conditions**

Ambient temperature	0 ... 70 °C (32 ... 158 °F)
Storage temperature	-25 ... 85 °C (-13 ... 185 °F)

**Mechanical specifications**

Protection degree	IP65
Connection	cable piercing method or terminal compartment yellow flat cable/black flat cable or standard round cable inputs/outputs: 2 x M16 x 1.5 cable glands and cage tension spring terminals, 1 x M12 x 1.5 cable gland (not used)
Material	
Housing	PA 6 GF30
Mass	350 g
Mounting	DIN mounting rail

**Compliance with standards and directives**

Standard conformity	
Protection degree	EN 60529:2000

**Notes**

Do not connect inputs and outputs, which are supplied via the module from AS-interface or via auxiliary power, with power supply and signal circuits with external potentials.

**Function**

The VBA-2E-G4-U analogue module has two analogue voltage inputs 0 V... 10 V. The asynchronous transformation of measured values and the data transfer is accomplished in accordance with AS-Interface profile 7.3. The measured-value transmitter can be supplied from the AS-Interface or from the external auxiliary power via the black flat cable, depending on the wiring of the plug-in jumpers. The resolution of the analogue values is 16 bit. System disturbances are eliminated using a filter, programmable via P0 (50 Hz/60 Hz).

The IP65 rated G4 module is especially suitable for rough conditions. Connection to the measured-value transmitters is established by means of cable glands and cage tension spring terminals thus making the installation especially user-friendly. For pre-addressing the module, it can be plugged directly onto the adapter of the hand-held programming device VBP-HH1.

Both flat and round cables can be used for the connection of the AS-Interface transmission line and the external 24 V DC power supply. Use the U-G1FF base for the AS-Interface flat cable. The AS-Interface standardised EEMS interface, uses the cable piercing method to connect both the yellow and black flat cables.

Use the U-G1PP base for a round cable. The AS-Interface-cable as well as the external power supply may be connected within the U-G1PP base.

**Accessories****VBP-HH1-V3.0-KIT**

AS-Interface Handheld with accessory

**VBP-HH1-V3.0**

AS-Interface Handheld

**VAZ-G4-B**

Blind plug PG7

**VAZ-G4-B1**

Blind plug M12

**Matching system components****U-G1FF**

AS-Interface module mounting base for connection to flat cable (AS-Interface and external auxiliary power)

**U-G1FFA**

AS-Interface module mounting base with addressing jack for connection to flat cable (AS-Interface and external auxiliary power)

**U-G1PP**

AS-Interface module mounting base for connection to round cable (AS-Interface and external auxiliary power)