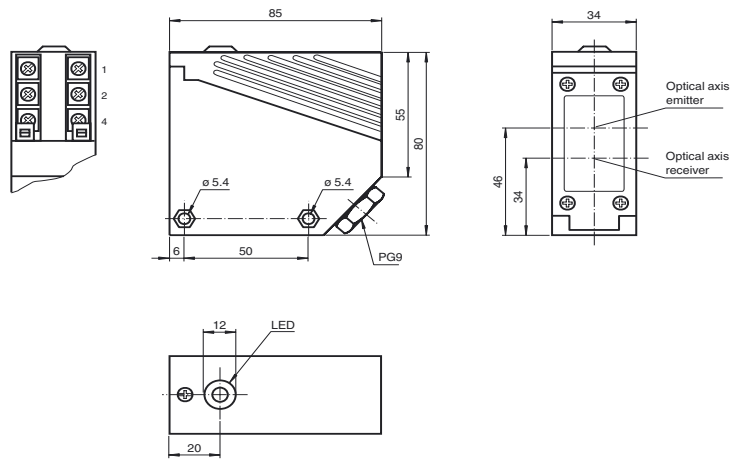




**Dimensions**



**Model Number**

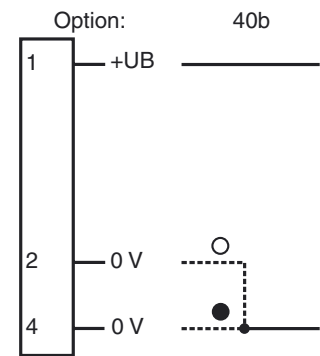
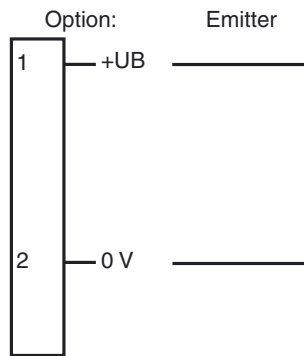
**L36/LV36-Ex/40b/116**

NAMUR thru-beam sensor, large housing design, 30 m detection range, red light, light/dark ON, DC version, NAMUR output, terminal compartment

**Features**

- ATEX approval for zone 1 (Gas)
- Intrinsically safe, Ex op is ia IIC T4 Gb
- Resistant against noise
- Adjustable sensitivity

**Electrical connection**



○ = Light on  
● = Dark on

Release date: 2013-12-16 12:54 Date of issue: 2013-12-16 106508\_eng.xml

## Technical data

### General specifications

Effective detection range	0 ... 30 m
Threshold detection range	30 m
Light source	LED , 660 nm
Light type	modulated visible red light
Ambient light limit	≤ 10000 Lux sun light ≤ 7500 Lux halogen light

### Functional safety related parameters

MTTF <sub>d</sub>	509 a
Mission Time (T <sub>M</sub> )	20 a
Diagnostic Coverage (DC)	0 %

### Indicators/operating means

Operation indicator	LED green: power on (emitter)
Function indicator	LED yellow: switching state (receiver)
Control elements	sensitivity adjustment

### Electrical specifications

Operating voltage	U <sub>B</sub>	6 ... 16 V DC (R <sub>i</sub> approx. 0 Ohm)
Ripple		5 %
Time delay before availability	t <sub>v</sub>	20 ms

### Output

Switching type	light/dark on, programmable	
Signal output	1 NAMUR output NC/NO programmable	
Switching voltage	8 V DC (R <sub>i</sub> approx. 1 kΩ)	
Switching frequency	f	≤ 100 Hz
Current consumption	Emitter: ≥ 2.2 mA , Receiver:	
Reference target detected	connection 1, 2: ≥ 2.2 mA connection 1, 4: ≤ 1 mA	
Reference target not detected	connection 1, 2: ≤ 1 mA connection 1, 4: ≥ 2.2 mA	
Response time	5 ms	

### Ambient conditions

Ambient temperature	-25 ... 70 °C (-13 ... 158 °F)
Storage temperature	-40 ... 80 °C (-40 ... 176 °F)

### Mechanical specifications

Protection degree	IP54
Connection	terminal compartment PG9, ≤ 2.5 mm <sup>2</sup>
Material	
Housing	PMMA
Optical face	PMMA
Mass	200 g (device)

### Compliance with standards and directives

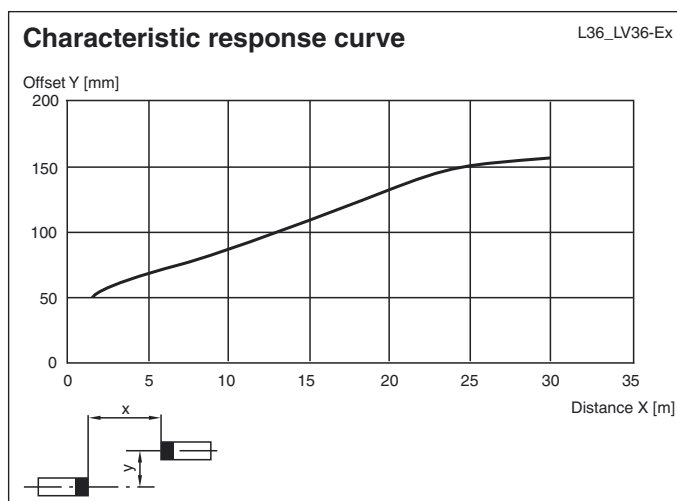
Standard conformity	
Product standard	EN 60947-5-2

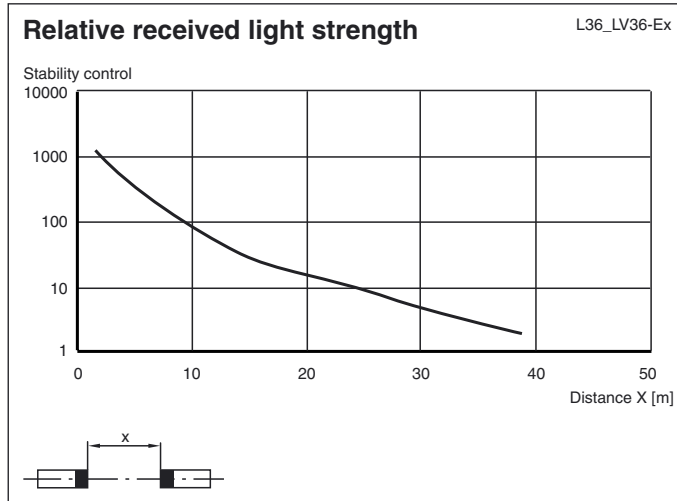
Standards	DIN EN 60947-5-6
-----------	------------------

### Approvals and certificates

CCC approval	CCC approval / marking not required for products rated ≤36 V
Approvals	CE

## Curves / Diagrams





Release date: 2013-12-16 12:54 Date of issue: 2013-12-16 106508\_eng.xml

Refer to "General Notes Relating to Pepperl+Fuchs Product Information".

Pepperl+Fuchs Group  
www.pepperl-fuchs.com

USA: +1 330 486 0001  
fa-info@us.pepperl-fuchs.com

Germany: +49 621 776 4411  
fa-info@de.pepperl-fuchs.com

Singapore: +65 6779 9091  
fa-info@sg.pepperl-fuchs.com