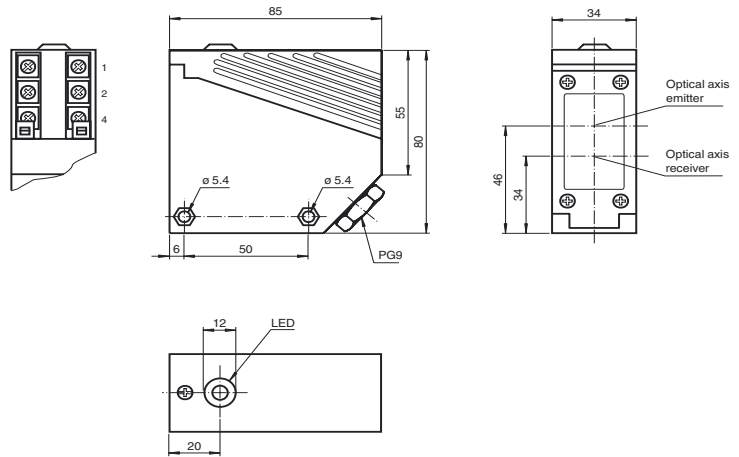




Dimensions



Model Number

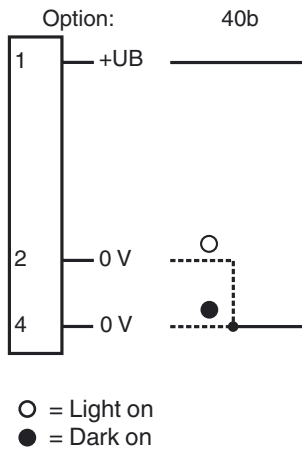
RL36-55-Ex/40b/116

NAMUR retroreflective sensor, large housing design, 8 m detection range, red light, light/dark ON, DC version, NAMUR output, terminal compartment

Features

- ATEX approval for zone 1 (Gas)
- Intrinsically safe, Ex op is ia IIC T4 Gb
- Resistant against noise
- Glare protected with polarization filter
- Scratch resistant mineral glass lens

Electrical connection



Release date: 2013-09-03 17:58 Date of issue: 2013-09-03 106531_eng.xml

Refer to "General Notes Relating to Pepperl+Fuchs Product Information".

Pepperl+Fuchs Group
www.pepperl-fuchs.com

USA: +1 330 486 0001
fa-info@us.pepperl-fuchs.com

Germany: +49 621 776 4411
fa-info@de.pepperl-fuchs.com

Singapore: +65 6779 9091
fa-info@sg.pepperl-fuchs.com

Technical data

General specifications

Effective detection range	0 ... 8 m
Reflector distance	800 ... 8000 mm
Threshold detection range	11.5 m
Reference target	H85 reflector
Light source	LED
Light type	modulated visible red light , 660 nm
Approvals	CE
Ambient light limit	≤ 10000 Lux sun light ≤ 7500 Lux halogen light

Functional safety related parameters

MTTF _d	1319 a
Mission Time (T _M)	20 a
Diagnostic Coverage (DC)	0 %

Indicators/operating means

Function display	LED yellow: switching state
Controls	sensitivity adjustment

Electrical specifications

Operating voltage	U _B	6 ... 20 V DC (R _i approx. 0 Ohm)
Ripple		5 %
Time delay before availability	t _v	20 ms

Output

Switching type	light/dark on, programmable
Signal output	1 NAMUR output NC/NO programmable
Switching voltage	8 V DC (R _i approx. 1 kΩ)
Switching frequency	f ≤ 100 Hz

Current consumption

Reference target detected	connection 1, 2: ≥ 2.2 mA connection 1, 4: ≤ 1 mA
Reference target not detected	connection 1, 2: ≤ 1 mA connection 1, 4: ≥ 2.2 mA

Response time	5 ms
---------------	------

Ambient conditions

Ambient temperature	-25 ... 70 °C (-13 ... 158 °F)
Storage temperature	-40 ... 80 °C (-40 ... 176 °F)

Mechanical specifications

Protection degree	IP54
Connection	terminal compartment PG9, ≤ 2.5 mm ²
Material	
Housing	PMMA
Optical face	Scratch resistant mineral glass lens
Mass	200 g

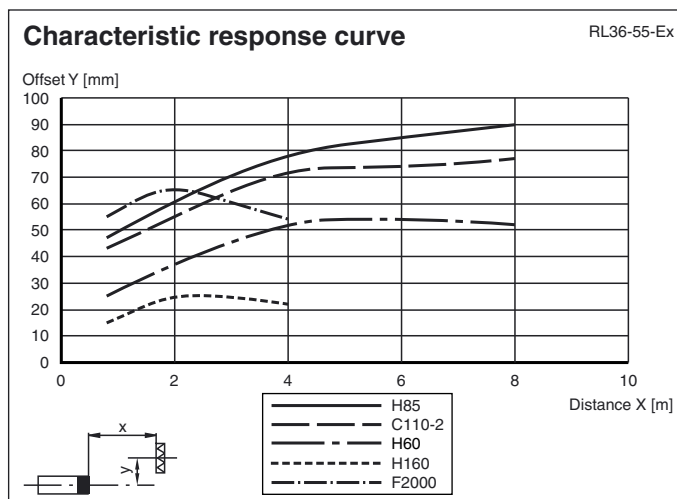
Compliance with standards and directives

Standard conformity	
Product standard	EN 60947-5-2
Standards	DIN EN 60947-5-6

Approvals and certificates

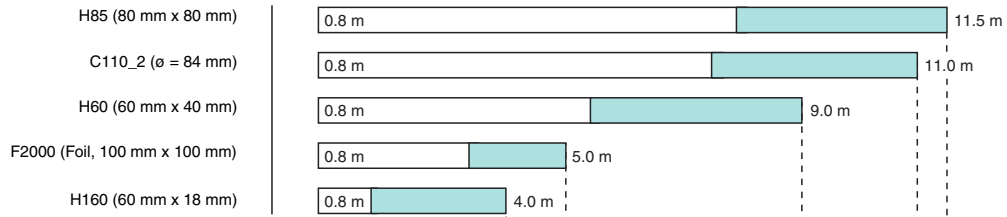
CCC approval	CCC approval / marking not required for products rated ≤36 V
--------------	--

Curves / Diagrams

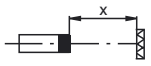
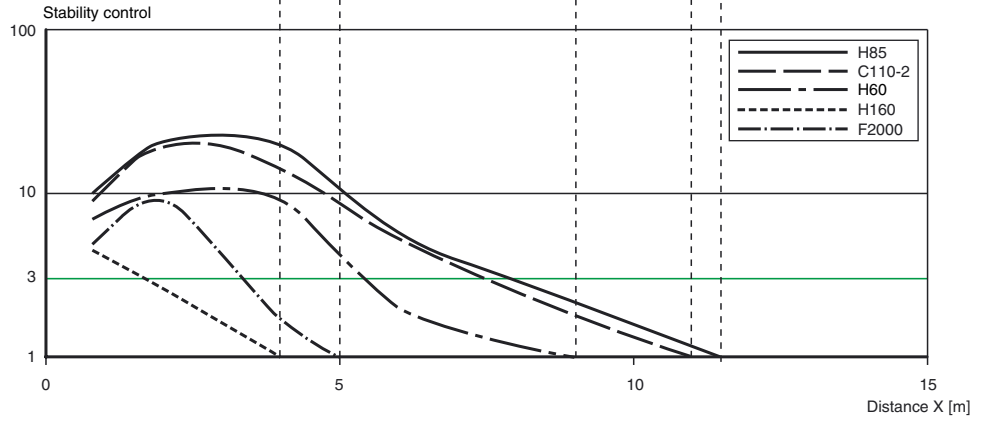


Relative received light strength

Reflector type:



Stability control > 3
 Stability control < 3



Release date: 2013-09-03 17:58 Date of issue: 2013-09-03 106531_eng.xml