



Model Number

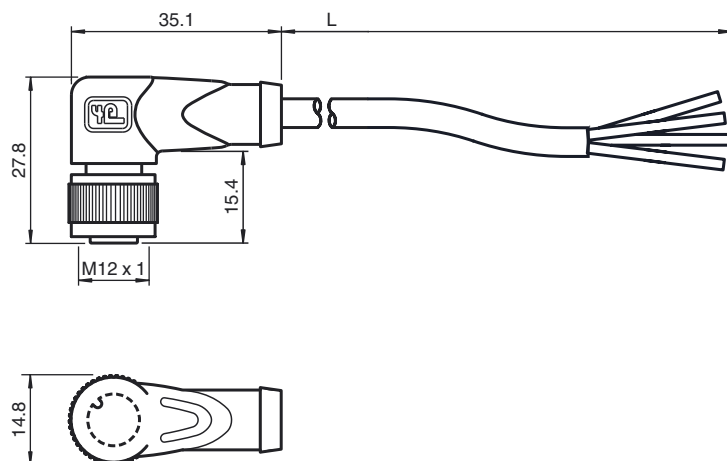
V1-W-N4-2M-PVC

Female cordset, M12, 4-pin, NAMUR, PVC cable

Features

- Suitable for NAMUR technology
- Blue body and sheathing
- Knurled nut suitable for tool assembly
- Immunity to vibration, with mechanical latching
- Gold-plated and machined contacts
- Degree of protection IP67 / IP68 / IP69K

Dimensions



Technical data

General specifications

| | |
|---------------------|-------------|
| Number of pins | 4 |
| Connection 1 | socket |
| Construction type 1 | right angle |
| Threading 1 | M12 |
| Connection 2 | cable end |

Electrical specifications

| | | |
|-------------------|-------|----------------------------|
| Operating voltage | U_B | max. 250 V DC |
| Test voltage | | > 1500 V _{eff} AC |
| Operating current | | max. 4 A |
| Volume resistance | | < 5 mΩ |

Ambient conditions

| | |
|---------------------|--|
| Ambient temperature | -25 ... 100 °C (-13 ... 212 °F) for temperatures over 80 °C (176 °F) reduced elongation at tear |
| Pollution Degree | 3 |

Mechanical specifications

| | | |
|------------------------|-------------------------------|-----|
| Contact elements | spring-loaded contact socket | |
| Degree of protection | IP67 / IP68 / IP69k | |
| Material | | |
| Contacts | CuSn / Au | |
| Contact surface | Au | |
| Body | TPU, blue | |
| Cable | PVC | |
| Slotted nut | Diecast zinc | |
| Core insulation | PVC | |
| Cable | fine-strand, flexible | |
| Sheath diameter | Ø4.8 mm | |
| Bending radius | > 10 x cable diameter, moving | |
| Color | blue | |
| Cores | 4 x 0.34 mm ² | |
| Conductor construction | 19 x 0.15 mm Ø | |
| Length | L | 2 m |
| Flammability | | |
| Contact material | 94 V-2 | |
| Housing | 94 V-2 | |

Electrical connection

