



### Model Number

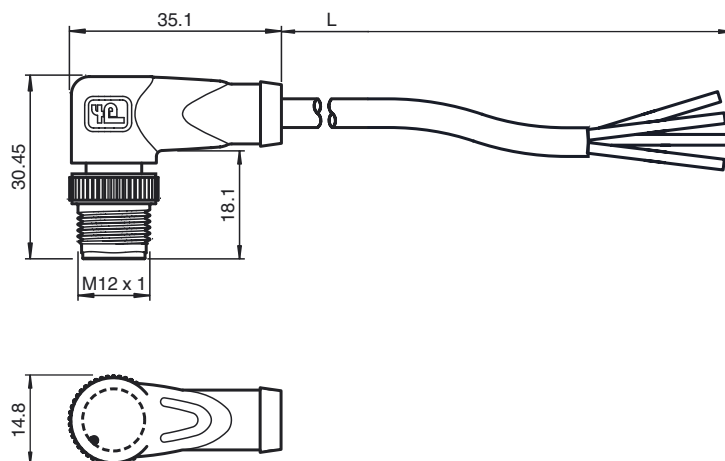
**V1S-W-5M-PUR**

Cable connector, M12, 4-pin, PUR cable

### Features

- Knurled nut suitable for tool assembly
- Immunity to vibration, with mechanical latching
- Gold-plated and machined contacts
- Protection degree IP67 / IP68 / IP69K
- Halogen-free

### Dimensions



### Technical data

#### General specifications

|                     |                |
|---------------------|----------------|
| Number of pins      | 4              |
| Connection 1        | Male connector |
| Construction type 1 | right angle    |
| Threading 1         | M12            |
| Connection 2        | cable end      |

#### Electrical specifications

|                    |       |                  |
|--------------------|-------|------------------|
| Operating voltage  | $U_B$ | max. 250 V AC/DC |
| Operating current  |       | max. 4 A         |
| Contact resistance |       | < 10 mΩ          |

#### Ambient conditions

|                     |  |
|---------------------|--|
| Ambient temperature | Body: -40 ... 90 °C (-40 ... 194 °F)<br>cable, fixed: -40 ... 80 °C (-40 ... 176 °F)<br>cable, flexing: -25 ... 80 °C (-13 ... 176 °F) |
| Pollution Degree    | 3  |

#### Mechanical specifications

|                        |  |
|------------------------|--|
| Pin diameter           | 1 mm   |
| Protection degree      | IP67 / IP68 / IP69k  |
| Material               |  |
| Contacts               | CuSn / Au  |
| Contact surface        | Au   |
| Body                   | TPU, black   |
| Cable                  | PUR  |
| Sleeve connector       | Diecast zinc   |
| Core insulation        | PP   |
| Cable                  | fine-strand, flexible  |
| Sheath diameter        | Ø 4.8 mm   |
| Bending radius         | > 10 x cable diameter, moving<br>> 8 x cable diameter, fixed |
| Color                  | grey   |
| Cores                  | 4 x 0.34 mm <sup>2</sup>                                     |
| Conductor construction | 19 x 0.15 mm Ø   |
| Length                 | L 5 m  |
| Flammability           |  |
| Contact material       | 94 HB  |
| Housing                | 94 V-2   |

#### Compliance with standards and directives

|                     |                      |
|---------------------|----------------------|
| Standard conformity |                      |
| Protection degree   | EN 60529:2000        |
| Standards           | IEC 61076-2-101:2008 |

### Electrical connection

