



**Model Number**

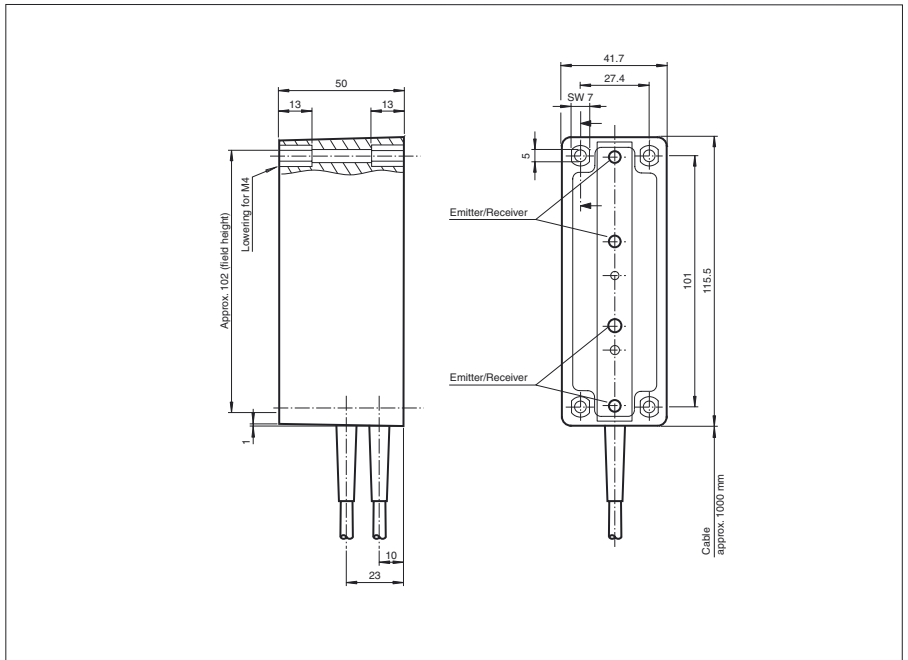
**PR4-150-K-2-W-F**

Light grid  
with 2.5 m fixed cable

**Features**

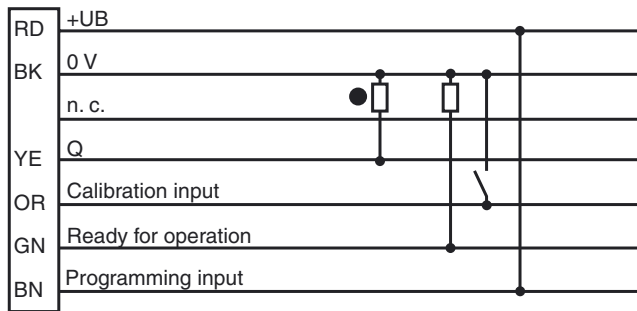
- Sensing range up to 1500 mm
- High-resolution light grid
- Suited for recording of transparent objects
- Light grid with 4 beams, crossed or parallel
- Smallest obstacle size 15 mm
- Automatic switching threshold adaptation eliminates soiling effects

**Dimensions**

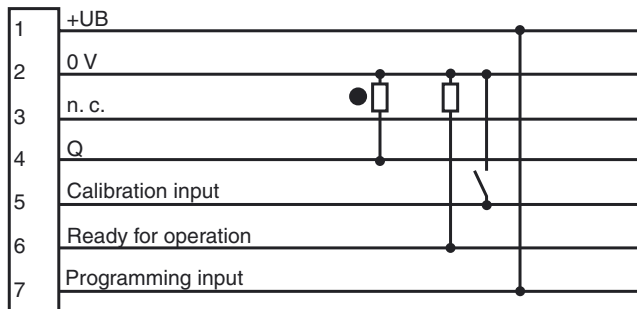


**Electrical connection**

Cable version



Connector version



○ = Light on  
● = Dark on

Release date: 2013-10-11 13:55 Date of issue: 2013-10-23 110154\_eng.xml

Refer to "General Notes Relating to Pepperl+Fuchs Product Information".

Pepperl+Fuchs Group  
www.pepperl-fuchs.com

USA: +1 330 486 0001  
fa-info@us.pepperl-fuchs.com

Germany: +49 621 776 4411  
fa-info@de.pepperl-fuchs.com

Singapore: +65 6779 9091  
fa-info@sg.pepperl-fuchs.com

## Technical data

### General specifications

Effective detection range	500 ... 1500 mm
Threshold detection range	1500 mm
Sensing range	0 ... 1500 mm
Light source	IREL
Light type	modulated infrared light
Field height	102 mm
Target size	15 mm
Beam spacing	33 mm
Number of beams	4
Angle of divergence	$\pm 8^\circ$
Ambient light limit	20000 Lux

### Indicators/operating means

Function indicator	LED yellow, functional readiness, LED red, switching state, lights up when the beam field is interrupted
--------------------	--

### Electrical specifications

Operating voltage	$U_B$	24 ... 28 V DC
Ripple		5 %

### Input

Function input	Automatic calibration according to application of the power supply, duration approx. 5 s
----------------	--

### Output

Switching type	dark on	
Signal output	1 PNP, short-circuit protected, open collector	
Switching voltage	max. 28 V DC	
Switching current	100 mA	
Switching frequency	f	100 Hz
Response time	2 ms	

### Standard conformity

Standards	EN 60947-5-2
-----------	--------------

### Ambient conditions

Ambient temperature	-15 ... 50 °C (5 ... 122 °F)
Storage temperature	-20 ... 75 °C (-4 ... 167 °F)

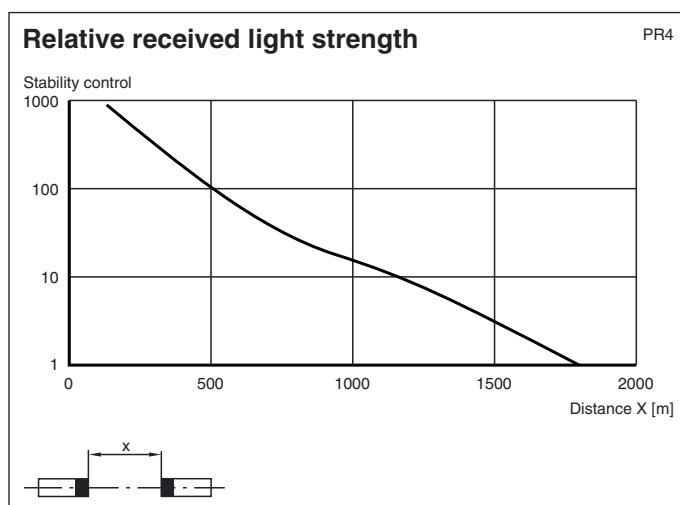
### Mechanical specifications

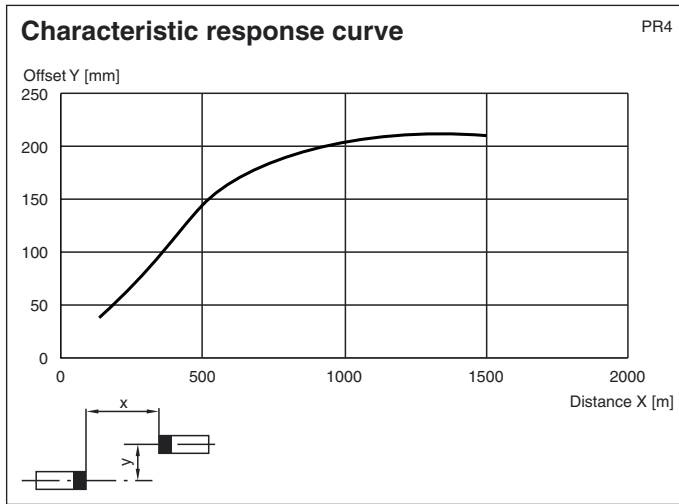
Protection degree	IP67
Connection	2.5 m cable
Material	
Housing	ABS
Optical face	PMMA
Mass	120 g (device)

### Approvals and certificates

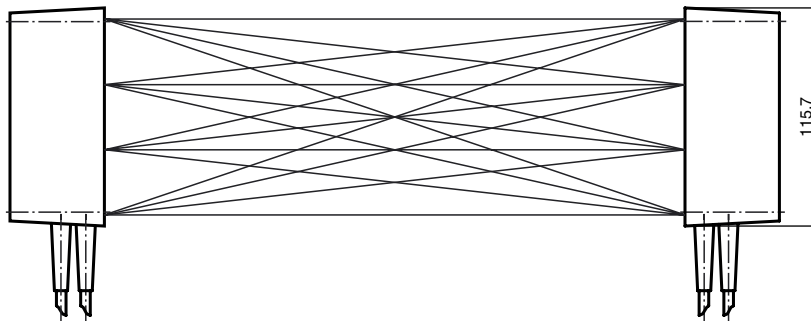
Approvals	CE
-----------	----

## Curves/Diagrams





### Course of the beams



### Accessories

#### Model number

- Cable connector for light grid PR:V18-PR-ASK-VIS
- Interconnecting cable for light grid PR:V18-PR-Verb-VIS