



### Model Number

**DA5-IU-C**

Digital display unit

### Features

- Bright, high contrast 5-digit LED indicator
- Leading zero suppression
- Adjustable decimal point
- Maximum- and minimum-value display

## Technical data

### General specifications

Pre-selection	none
Data storage	10 <sup>6</sup> storage cycles or 10 years, EEPROM
Programming	keypad-driven menu

### Functional safety related parameters

MTTF <sub>d</sub>	1900 a
Mission Time (T <sub>M</sub> )	10 a
Diagnostic Coverage (DC)	0 %

### Indicators/operating means

Type	7-segment LED display, red
Number of digits	5
Display value	digit height 8 mm
Key interlock	-
Display interval	-19999 ... 99999
Decimal point	freely adjustable
Resolution	14 Bit
Scale factor	via linear characteristic curve
Reset	maximum value, manually

### Electrical specifications

Operating voltage	U <sub>B</sub>	10 ... 30 V DC
Power consumption	P <sub>0</sub>	1.5 VA

### Input

Impedance	1 MOhm
Voltage	max. 30 DC
Analog voltage input	0 ... 10 V / 2 ... 10 V DC
Analog current input	0 ... 20 mA / 4 ... 20 mA

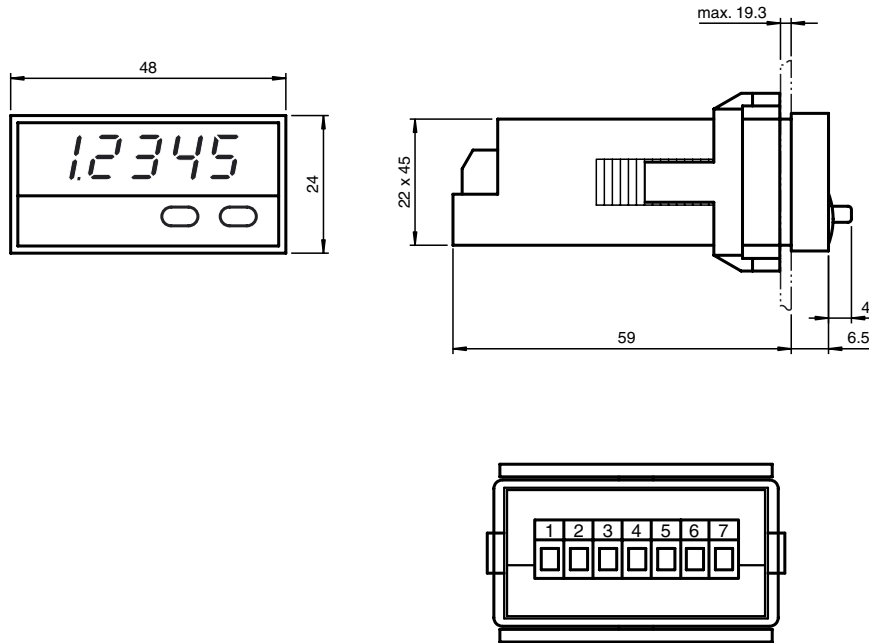
### Ambient conditions

Ambient temperature	-10 ... 50 °C (14 ... 122 °F)
Storage temperature	-25 ... 70 °C (-13 ... 158 °F)
Relative humidity	≤ 80 % (noncondensing)

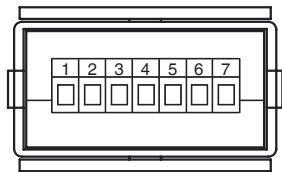
### Mechanical specifications

Protection degree	IP65 (front)
Connection	7-pin screw terminal max. core cross-section 0.34 ... 1.5 mm <sup>2</sup>
Mass	approx. 50 g
Dimensions	48 mm x 24 mm x 65 mm
Mounting	latch fastener/mounting frame

Dimensions



Electrical connection



Terminal No.	
1	10 ... 30 V DC
2	0 V (GND)
3	0 V LATCH
4	LATCH
5	Current input
6	0 V input signal
7	Voltage input

The DA5-IU-C permits a simple visual inspection by operating and maintenance personnel. It converts the analogue sensor output signal into a readable form for this purpose. Depending on the task or setting, 4 ... 20 mA or 0 ... 100 % values can be displayed.

Scope of delivery:

- Process control unit DA5-IU-C
- Screw terminal, 7-pin
- Clamp clip
- Seal
- 1 sheet of adhesive symbols

Release date: 2012-02-03 16:33 Date of issue: 2012-02-13 110352\_eng.xml