

Model Number

U-P4-RX

Base with serial interfaces RS 232 and RS 485

Features

- Protection degree IP67
- With serial interfaces RS 232 and RS 485

Function

The base is used in combination with an upper part, the IPT*-FP read/write station. Either an RS 232- or an RS 485-interface is available.

The read/write station is connected to a higher-order control system via the serial interface and receives the commands for writing and/or reading code or data carriers via this interface.

Software

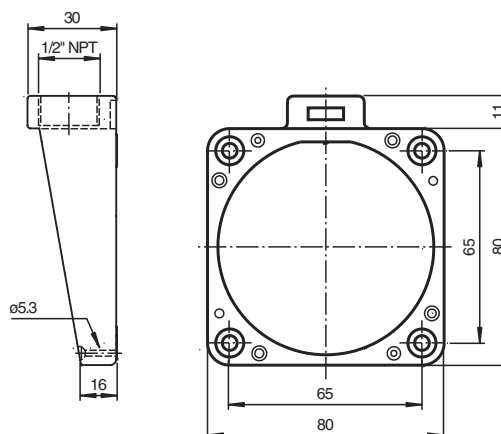
Communication with the identification system is very easy with the demo program IDENT 2005. It shows the system options and simplifies commissioning. The demo program is included in the scope of delivery.

Matching system components

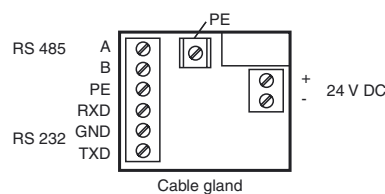
IPT-FP

Read/write station

Dimensions



Electrical connection



Technical data

Electrical specifications

Rated operational voltage	U_e	20 ... 30 V DC , ripple 10 % _{SS} , PELV
Power consumption	P_0	max. 4 W with read/write head IPT*-FP

Electrical isolation

Operating voltage/interface	functional insulation acc. to DIN EN 50178, rated insulation voltage 50 V _{eff}
-----------------------------	--

Interface

Physical	RS 232/RS 485
Protocol	ASCII
Transfer rate	1200; 2400; 4800; 9600; 19200; 38400
Cable length	≤ 15 m at RS 232 ≤ 1200 m at RS 485

Ambient conditions

Ambient temperature	-25 ... 70 °C (248 ... 343 K)
Storage temperature	-40 ... 85 °C (233 ... 358 K)

Mechanical specifications

Protection degree	IP67 according to EN 60529 with IPT*-FP
Connection	screw terminals
Interface cable	3 conductor, acc. to RS 232 or 2 acc. to RS 485
Supply	up to 3 x 1.5 mm ²
Material	
Housing	aluminium diecasting