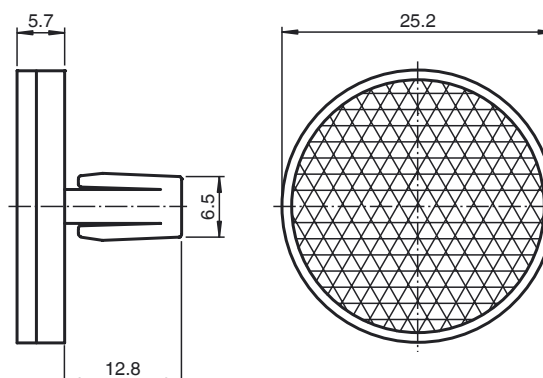




## Dimensions



### Model Number

**REF-CLIP25**

Reflector, round  $\varnothing$  25.2 mm, snap-in

### Features

- Simple installation with snap-in fastener

## Technical data

### General specifications

Construction type	circular
-------------------	----------

### Ambient conditions

Ambient temperature	-20 ... 85 °C (-4 ... 185 °F)
---------------------	-------------------------------

### Mechanical specifications

Material	PMMA/ABS
Dimensions	Diameter: 25.2 mm
Mounting	Snap-in