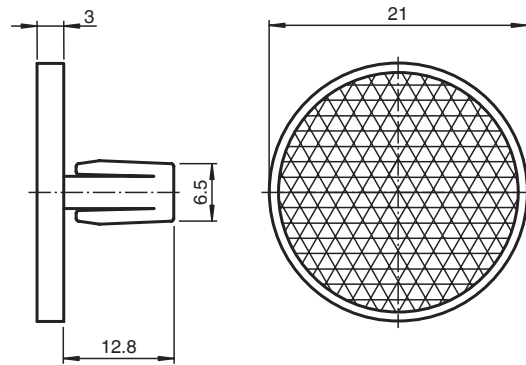




Dimensions



Model Number

REF-MCLIP21

Reflector with Micro-structure, round \varnothing 21 mm, snap-in

Features

- Simple installation with snap-in fastener
- Micro-structure

Technical data

General specifications

Construction type	circular
-------------------	----------

Ambient conditions

Ambient temperature	-20 ... 85 °C (-4 ... 185 °F)
---------------------	-------------------------------

Mechanical specifications

Material	PMMA/ABS
Dimensions	Diameter: 21 mm
Mounting	Snap-in