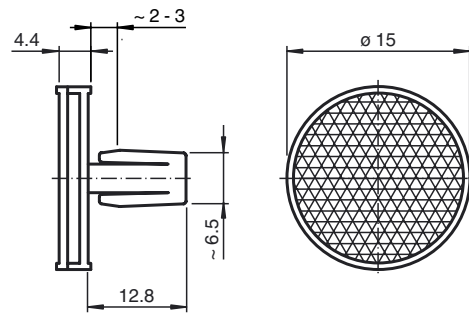




## Dimensions



## Model Number

**REF-MCLIP15HT**

Reflector with Micro-structure, round  $\varnothing$  15 mm, snap-in, high temperature applications

## Features

- Simple installation with snap-in fastener
- Micro-structure
- With extended temperature range up to 110 °C (230 °F)

## Technical data

### General specifications

Construction type	circular
Tripel height	approx. 0.8 mm

### Ambient conditions

Ambient temperature	-20 ... 110 °C (-4 ... 230 °F)
---------------------	--------------------------------

### Mechanical specifications

Material	PC
Dimensions	Diameter: 15 mm
Mounting	Snap-in