

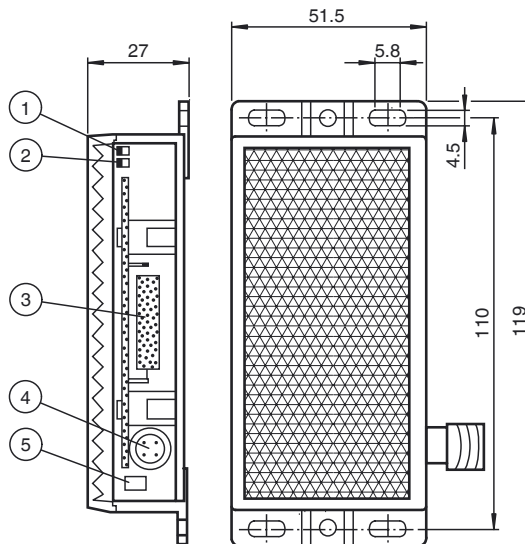
CE

Model Number**REF-HEATER120**

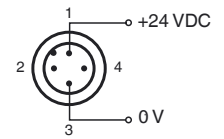
Reflector, rectangular 120 mm x 51 mm, mounting holes, heatable 24 V DC

Features

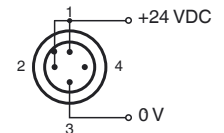
- Mounting holes for simple installation

Dimensions

electrical connection for internal reference temperature of approx. 38 °C



electrical connection for internal reference temperature of approx. 48 °C



1	Green LED, ready indicator
2	Red LED, lights up when heater is active
3	Heater
4	M12x1 plug, 4-pin
5	Temperature sensor

Technical data**General specifications**

Construction type rectangular

Electrical specificationsOperating voltage U_B 24 V DC

Operating current 200 mA

Power consumption P_0 max. 4.8 W**Ambient conditions**

Ambient temperature -20 ... 60 °C (-4 ... 140 °F)

Mechanical specifications

Connection 4-pin, M12 x 1 connector

Material PMMA/ABS

Dimensions 119 mm x 51.5 mm x 27 mm

Mounting mounting holes

CAUTION:

Mount the reflector on a fireproof surface.

Do **not** use the reflector in potentially explosive spaces or near combustibles.