



Model Number

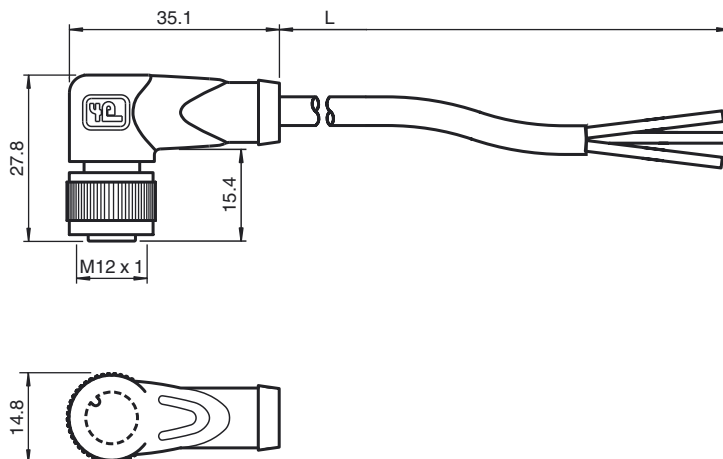
V11-W-2M-PVC

Female cordset, M12, 3-pin, PVC cable

Features

- Knurled nut suitable for tool assembly
- Immunity to vibration, with mechanical latching
- Gold plated contacts
- Degree of protection IP67 / IP68 / IP69K

Dimensions



Technical data

General specifications

| | |
|---------------------|-------------|
| Number of pins | 3 |
| Connection 1 | socket |
| Construction type 1 | right angle |
| Threading 1 | M12 |
| Connection 2 | cable end |

Electrical specifications

| | | |
|--------------------|-------|------------------|
| Operating voltage | U_B | max. 250 V AC/DC |
| Operating current | | max. 4 A |
| Contact resistance | | < 10 mΩ |

Ambient conditions

| | |
|---------------------|---|
| Ambient temperature | -25 ... 100 °C (-13 ... 212 °F) For temperatures over 80 °C (176 °F) reduced elongation at rupture |
| Pollution Degree | 3 |

Mechanical specifications

| | | |
|------------------------|-------------------------------|-----|
| Contact elements | spring-loaded contact socket | |
| Pin diameter | 1 mm | |
| Degree of protection | IP67 / IP68 / IP69k | |
| Material | | |
| Contacts | CuSn / Au | |
| Contact surface | Au | |
| Body | TPU, black | |
| Cable | PVC | |
| Slotted nut | Diecast zinc | |
| Core insulation | PVC | |
| Cable | fine-strand, flexible | |
| Sheath diameter | Ø 4.8 mm | |
| Bending radius | > 10 x cable diameter, moving | |
| Color | grey | |
| Cores | 3 x 0.34 mm ² | |
| Conductor construction | 19 x 0.15 mm Ø | |
| Length | L | 2 m |
| Flammability | | |
| Contact material | 94 HB | |
| Housing | 94 V-2 | |

Compliance with standards and directives

| | |
|----------------------|----------------------|
| Standard conformity | |
| Degree of protection | EN 60529:2000 |
| Standards | IEC 61076-2-101:2008 |
| Flammability | Grip: UL 94 |

Electrical connection

