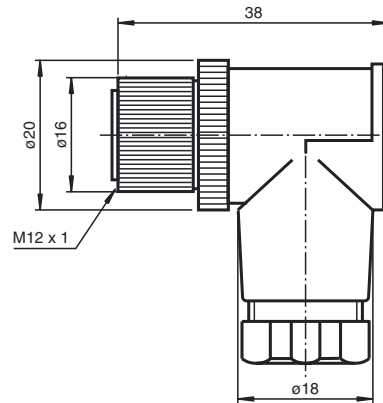




Dimensions



Model Number

V15-WV2A-PG9-Y117132

Female cordset, field attachable

Features

- Slotted V2A nut
- Gold plated contacts

Technical data

General specifications

Number of pins 5

Electrical specifications

Operating voltage U_B max. 30 V DC

Operating current max. 4 A

Volume resistance $< 3 \text{ m}\Omega$

Ambient conditions

Ambient temperature $-40 \dots 85 \text{ }^\circ\text{C}$ ($-40 \dots 185 \text{ }^\circ\text{F}$)

Pollution Degree 3

Mechanical specifications

Degree of protection IP67

Connection 1 x M12 right-angled connector
Screw terminals for max. 0.75 mm^2
PG9 cable gland

Material

Contacts CuSn

Contact surface Au

Body PA 66

Slotted nut Stainless steel 1.4305 / AISI 303

Cable

Sheath diameter 6 ... 8 mm

Electrical connection

