



**Model Number**

**U-P6-B5-V**

Base for INTERBUS, plug-in connection

**Features**

- Bus subscriber for INTERBUS installation
- 500 kBit/s or 2 MBit/s transfer rate (switchable)
- M23 round connection for BUS and supply
- Complete read/write functionality via the INTERBUS
- Transfer of 10 bytes of data in one cycle
- Field device with protection degree IP67

**Function**

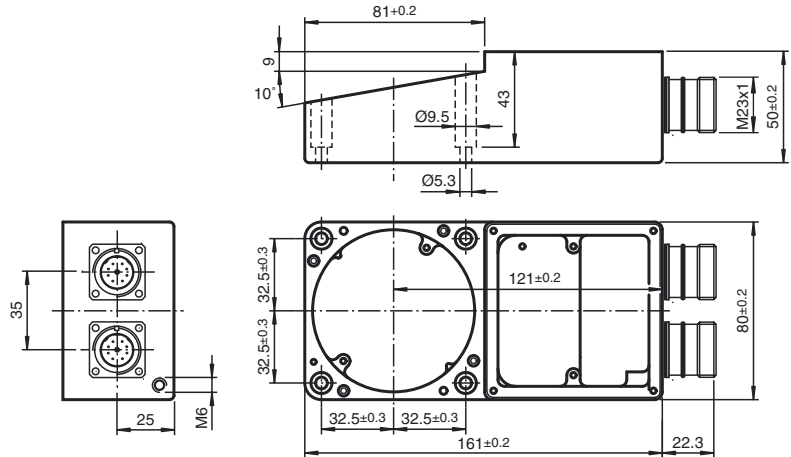
The base is used in combination with an upper part, the IPT\*-FP read/write station. The device is operated as a slave at the INTERBUS installation remote bus. The device offers the full read/write functionality. Up to 10 byte per cycle can be transferred. By means of an internal slide switch the transfer rate can be switched over between 500 kbit/s and 2 Mbit/s. The rounded connector M23 for BUS and supply allows a rapid assembly.

**Matching system components**

**IPT-FP**  
Read/write station

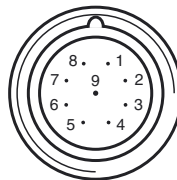
**IPT1-FP**  
Read/write station

**Dimensions**



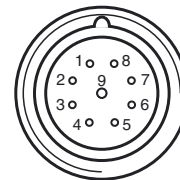
**Electrical connection**

incoming interface



connector

outgoing interface

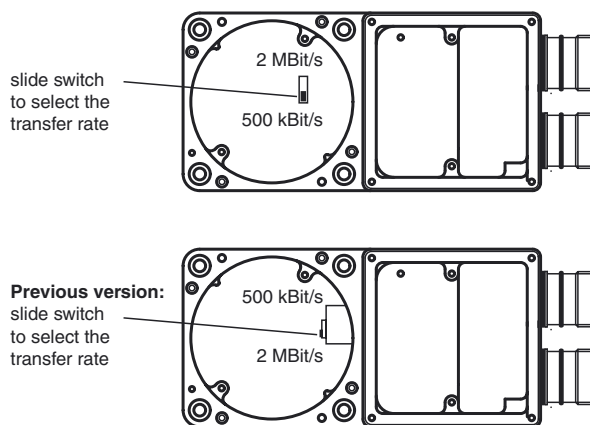


socket

- 1 DO1
- 2 /DO1
- 3 DI1
- 4 /DI1
- 5 GND
- 6 PE
- 7 +24 V
- 8 0 V
- 9 0 V

- 1 DO2
- 2 /DO2
- 3 DI2
- 4 /DI2
- 5 GND
- 6 PE
- 7 +24 V
- 8 0 V
- 9 /RBST

**Indicating / Operating means**



**Technical data**

**Electrical specifications**

Rated operational voltage	$U_e$	20 ... 30 V DC , ripple 10 % <sub>SS</sub> , PELV
Power consumption	$P_0$	max. 5 W with read/write head IPT*-FP
<b>Electrical isolation</b>		
Operating voltage/interface		functional insulation acc. to DIN EN 50178, rated insulation voltage 50 V <sub>eff</sub>

**Interface**

Release date: 2011-07-19 12:11 Date of issue: 2011-07-19 119250\_eng.xml

Subject to modifications without notice

Pepperl+Fuchs Group  
www.pepperl-fuchs.com

USA: +1 330 486 0001  
fa-info@us.pepperl-fuchs.com

Germany: +49 621 776-4411  
fa-info@pepperl-fuchs.com

Copyright Pepperl+Fuchs  
Singapore: +65 6779 9091  
fa-info@sg.pepperl-fuchs.com



Physical	RS 485
Protocol	INTERBUS remote bus
ID code	03
Transfer rate	500 kBit/s or 2 MBit/s internally switchable
<b>Ambient conditions</b>	
Ambient temperature	-25 ... 70 °C (-13 ... 158 °F)
Storage temperature	-40 ... 85 °C (-40 ... 185 °F)
<b>Mechanical specifications</b>	
Protection degree	IP67 according to EN 60529 with IPT*-FP
Connection	Round connector M23, 8+1 Pin Connector: incoming interface socket: outgoing Interface
Interface cable	up to 1.5 mm <sup>2</sup>
Supply	up to 3 x 1.5 mm <sup>2</sup>
<b>Material</b>	
Housing	aluminum, black anodized