



Model Number

IPH-L2-V1

LF read/write head for IDENTControl

Features

- VariKont L^(r) Type with variable alignment capability in 15° steps and front face in 90° steps
- 4 x dual LEDs on the corners for visibility on all sides
- Degree of protection IP67
- Connection via V1 (M12 x 1) plug connection

Accessories

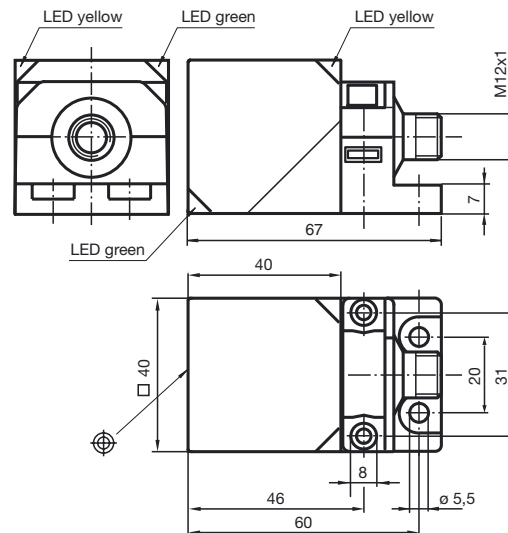
V1-G-5M-PUR-ABG-V1-W

Connecting cable, M12 to M12, PUR cable 4-pin, shielded

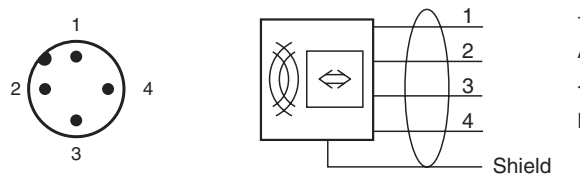
V1-G-10M-PUR-ABG-V1-W

Connecting cable, M12 to M12, PUR cable 4-pin, shielded

Dimensions



Electrical connection



Technical data

General specifications

Operating frequency	125 kHz
Transfer rate	2 kBit/s
Sensing range	
Read distance	1 ... 75 mm
Write distance	2 ... 65 mm
Width	max. 60 mm
Operating distance	maximum: 80 mm
UL File Number	E87056

Indicators/operating means

LED green/yellow	green: power on green flashing: read/write attempt performed yellow: data carrier detected
------------------	--

Electrical specifications

Power consumption	P_0	≤ 1.2 W
Supply		from the IDENTControl

Ambient conditions

Ambient temperature	-25 ... 70 °C (-13 ... 158 °F)
Storage temperature	-40 ... 85 °C (-40 ... 185 °F)

Mechanical specifications

Degree of protection	IP67
Connection	M12 x 1 connector
Material	
Housing	PA-GF35
Encapsulation compound	Fermadur
Installation	non-flush in metal
Distance between two heads	Multiplex on: ≥ 60 mm Multiplex off: ≥ 450 mm
Mass	approx. 210 g

Compliance with standards and directives

Directive conformity	
R&TTE Directive 1995/5/EC	EN 301489-1 V1.8.1 (2008-04), EN 301489-3 V1.4.1 (2002-08), EN 300330-2 V1.3.1 (2006-04), EN 60950-1:2006
Standard conformity	



Electromagnetic compatibility	EN 61326
Degree of protection	EN 60529

Release date: 2015-04-16 10:01 Date of issue: 2015-04-29 119321_eng.xml