

Model Number

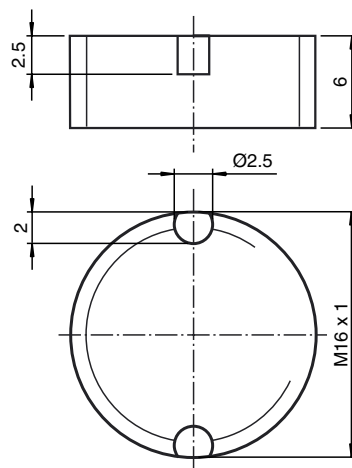
IPC03-16GK

Data carrier

Features

- Battery-free data carrier
- 32 bit fixcode
- 928 bits computer memory available
- Embeddable mountable in metal
- Protection degree IP67

Dimensions



Technical data

General specifications

Operating frequency	125 kHz
Transfer rate	2 kBit/s

Functional safety related parameters

MTTF _d	3400 a
Mission Time (T _M)	20 a
Diagnostic Coverage (DC)	0 %

Memory

Chip Type	EM4450 Titan (EM Microelectronic)
Type/Size	EEPROM 928 Bit ROM 32 Bit
Read cycles	unlimited
Write cycles	> 100000
Data retention period	10 years at 55 °C (131 °F)

Ambient conditions

Ambient temperature	-25 ... 70 °C (-13 ... 158 °F)
Storage temperature	-40 ... 85 °C (-40 ... 185 °F)

Mechanical specifications

Protection degree	IP67
Material	
Housing	PBT
Encapsulation compound	CY 221/HY 2966
Mass	2 g

Compliance with standards and directives

Standard conformity	
Protection degree	EN 60529

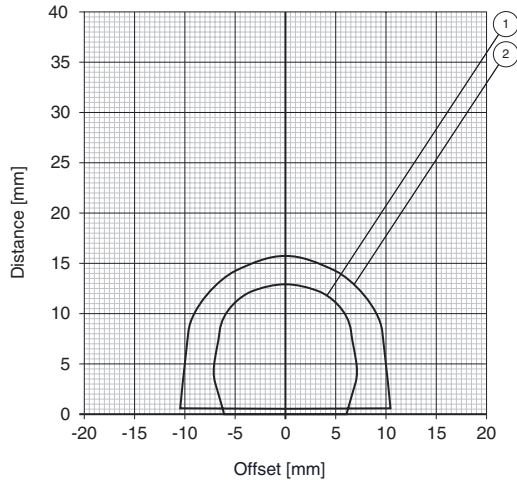
Notes

The surface containing the text must face the read/write head.

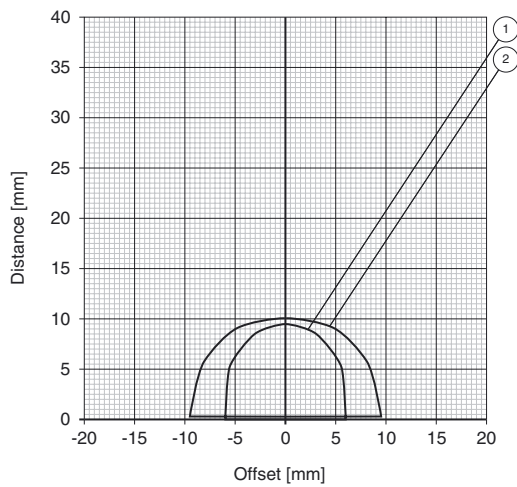
Read/write distances

- ① IPH-18GM-V1 ③ IPH-F61 ⑤ IPH-FP-V1 ⑦ IPT1-FP-V1
- ② IPH-30GM-V1 ④ IPH-L2-V1 ⑥ IPH-F15-V1

Reading range mounted flush in aluminium IPC03-16GK

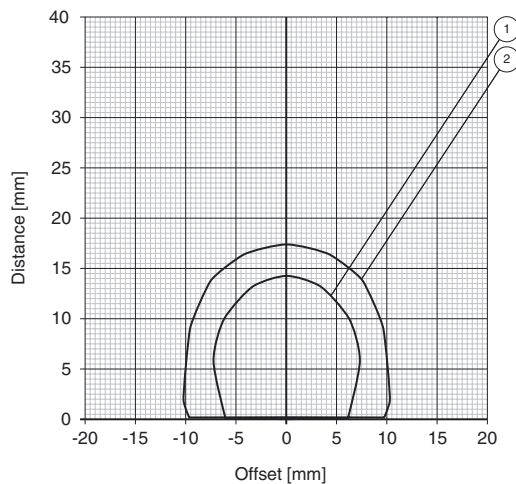


Writing range mounted flush in aluminium IPC03-16GK

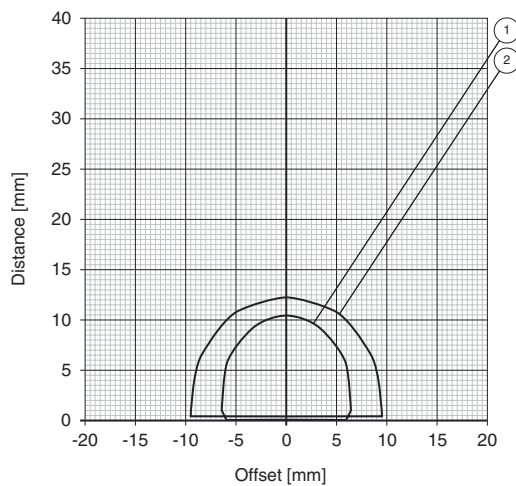


Release date: 2011-07-19 10:01 Date of issue: 2012-02-28 119466_eng.xml

Reading range mounted flush in steel IPC03-16GK



Writing range mounted flush in steel IPC03-16GK



Release date: 2011-07-19 10:01 Date of issue: 2012-02-28 119466_eng.xml

Subject to modifications without notice

Pepperl+Fuchs Group
www.pepperl-fuchs.com

USA: +1 330 486 0001
fa-info@us.pepperl-fuchs.com

Germany: +49 621 776-4411
fa-info@pepperl-fuchs.com

Copyright Pepperl+Fuchs
Singapore: +65 6779 9091
fa-info@sg.pepperl-fuchs.com