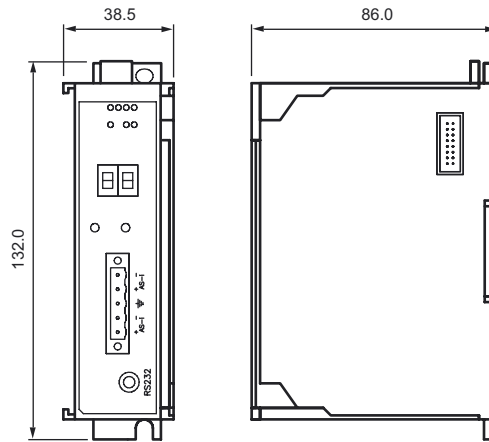




Dimensions



Model number

VBM-MLX/CPLX

AS-Interface scanner for CompactLogix or MicroLogix 1500 PLC

Features

- Gateway compliant with AS-Interface specification 3.0
- Commissioning, locally on the gateway or via AS-i Control Tools software
- Ethernet diagnostic interface
- AS-Interface scanner for CompactLogix or MicroLogix 1500 PLC

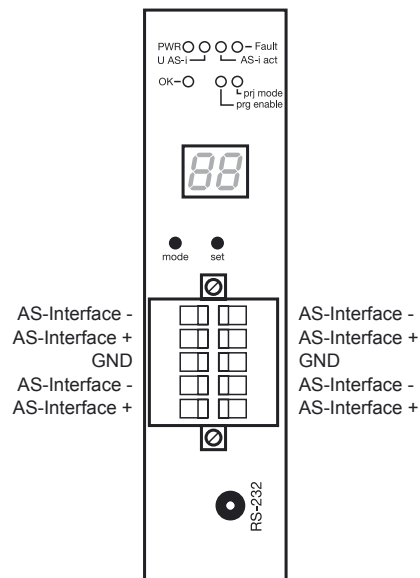
Accessories

VAZ-SW-ACT32

Full version of the AS-I Control Tools including connection cable

K-ADP2 RPI

Electrical connection



Technical data

General specifications

AS-Interface specification	V3.0
PLC-Functionality	none
Description	AS-Interface scanner for CompactLogix or MicroLogix 1500 PLC

Functional safety related parameters

MTTF _d	140 a at 30 °C
-------------------	----------------

Indicators/operating means

Display	LC display
LED SYS	LED green: Power on
LED OK	LED green: AS-Interface network running normally; LED green flashing: Configuration mode; LED red flashing: Peripheral fault; LED red: Configuration error;
LED AS-i ACTIVE	LED green: AS-Interface running normally

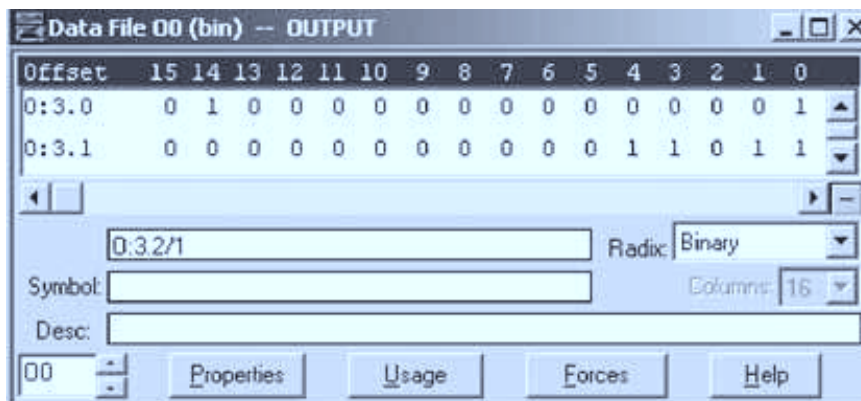
Release date: 2011-06-22 17:25 Date of issue: 2014-01-13 124959_eng.xml

LED PWR	LED green: Power on	
LED PRG ENABLE	autom. programming; LED green	
LED PRJ MODE	projecting mode active; LED yellow	
LED U AS-i	AS-Interface voltage; LED green	
Switch SET	Selection and setting of a slave address	
Button MODE	Mode selection PRJ-operation/save configuration/cursor	
Electrical specifications		
Insulation voltage	U_i	≥ 500 V
Capacity factor	Power supply rating of 4 Cannot be farther then 4 cards from main processor or power supply	
Rated operating voltage	U_e	from backplane
Rated operating current	I_e	100 mA from AS-Interface 450 mA from backplane
Interface		
Protocol	MicroLogix 1500 or CompactLogix backplane	
Interface 2		
Interface type	RS 232, serial	
Connection		
AS-Interface	double row terminals, removable	
Ambient conditions		
Ambient temperature	0 ... 55 °C (32 ... 131 °F)	
Storage temperature	-25 ... 85 °C (-13 ... 185 °F)	
Mechanical specifications		
Protection degree	IP20	
Mass	420 g	
Construction type	Mounting into the backplane of a MicroLogix 1500 or CompactLogix PLC	
Compliance with standards and directives		
Standard conformity		
Electromagnetic compatibility	EN 61000-6-2:2005, EN 61000-6-4:2001, EN 50295:1999	
AS-Interface	EN 50295	
Protection degree	EN 60529	
Shock and impact resistance	EN 61131-2	

Notes

DATA MAPPING – SLC500

The Compact I/O-Scanner works with the MicroLogix 1500 or the CompactLogix



Example of an RS Logix 5000 screen capture for MicroLogix 1500 mapping (third card)

MAPPING DATA

Address 1/1A outputs 1-4 O:3.0/8 - O:3.0/11	Address 5/5A outputs 1-4 O:3.1/8 - O:3.1/11
Address 2/2A outputs 1-4 O:3.0/4 - O:3.0/7	Address 6/6A outputs 1-4 O:3.1/4 - O:3.1/7
Address 3/3A outputs 1-4 O:3.0/0 - I:3.0/3	Address 7/7A outputs 1-4 O:3.1/0 - O:3.1/3
Address 4/4A outputs 1-4 O:3.1/12 - O:3.1/15	...