



Model number

VBM-CLX-DM
AS-Interface Scanner for ControlLogix PLC

Features

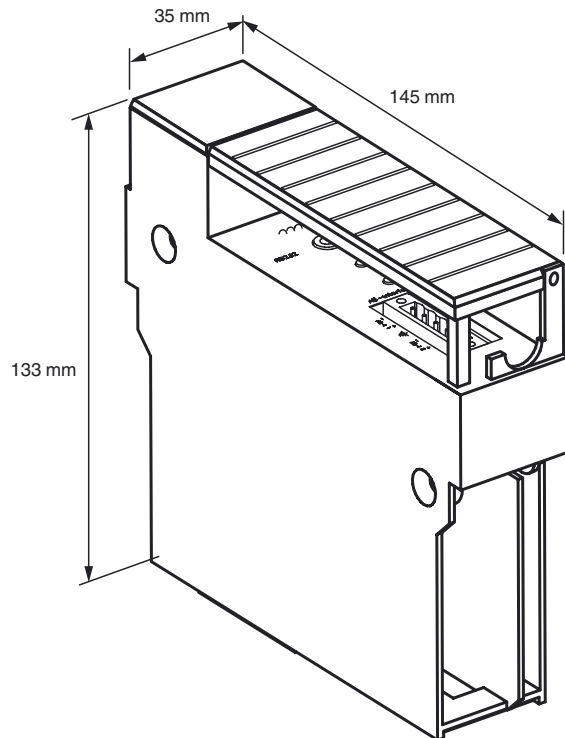
- Gateway compliant with AS-Interface specification 3.0
- 2 AS-Interface networks
- Commissioning, locally on the gateway or via AS-i Control Tools software
- Connects directly to ControlLogix backplane
- Hot Swappable
- Ethernet diagnostic interface
- Can be mounted in the local rack or in a remote EtherNet/IP or ControlNet rack

Accessories

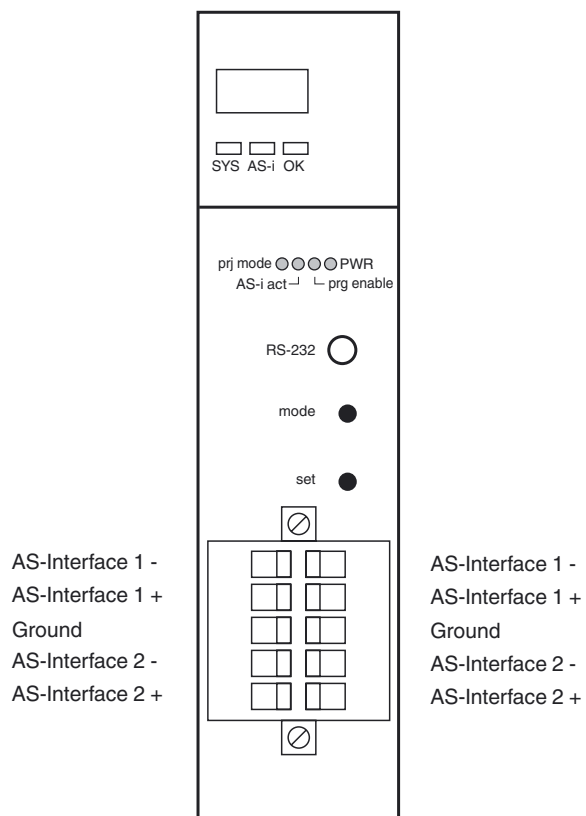
VAZ-SW-ACT32
Full version of the AS-I Control Tools including connection cable

K-ADP2 RPI

Dimensions



Electrical connection



Release date: 2011-08-23 22:36 Date of issue: 2014-01-13 124961_Leng.xml

Refer to "General Notes Relating to Pepperl+Fuchs Product Information".

Technical data**General specifications**

AS-Interface specification	V3.0
PLC-Functionality	none
Description	AS-Interface Scanner for ControlLogix PLC

Functional safety related parameters

MTTF _d	115 a at 30 °C
-------------------	----------------

Indicators/operating means

Display	LC display
LED SYS	LED green: Power on
LED OK	LED green: AS-Interface network running normally; LED green flashing: Configuration mode; LED red flashing: Peripheral fault; LED red: Configuration error;
LED AS-i ACTIVE	LED green: AS-Interface running normally
LED PWR	LED green: Power on
LED PRJ MODE	project mode active; LED yellow
LED AS-i	LED green: AS-I network running normally; LED green flashing: Configuration mode; LED red flashing: Peripheral fault; LED red: Configuration error
Switch SET	Selection and setting of a slave address
Button MODE	Mode selection PRJ-operation/save configuration/cursor

Electrical specifications

Insulation voltage	U_i	≥ 500 V
Rated operating voltage	U_e	from backplane
Rated operating current	I_e	70 mA from Network 1 70 mA from Network 2 390 mA from 5.1 V DC, 2 mA from 24 V DC backplane

Interface

Protocol	ControlLogix, backplane
----------	-------------------------

Interface 2

Interface type	RS 232, serial
----------------	----------------

Connection

AS-Interface	double row terminals, removable
--------------	---------------------------------

Ambient conditions

Ambient temperature	0 ... 55 °C (32 ... 131 °F)
Storage temperature	-25 ... 85 °C (-13 ... 185 °F)

Mechanical specifications

Protection degree	IP20
Mass	375 g
Construction type	Mounting into backplane of ControlLogix PLC rack

Compliance with standards and directives

Standard conformity	
Electromagnetic compatibility	EN 61000-6-2:2005, EN 61000-6-4:2001, EN 50295:1999
AS-Interface	EN 50295
Protection degree	EN 60529
Shock and impact resistance	EN 61131-2

Notes

DATA MAPPING – ControlLogix

The ControlLogix-Scanner works with all models.

An example of an RS Logix 5000 screen capture for ControlLogix mapping (slot 1).

Tag Name	Value	Type	Description
ASi_Input	{...}	AB:1756_MODUL	AS-i Input Data, Mailbox In
ASi_Output	{...}	AB:1756_MODUL	AS-i Output Data, Mailbox Out
ASi_Output.Data	{...}	INT[50]	AS-i Output Data, Mailbox Out
ASi_Output.Data[0]	2048	INT	Circul 1. Flags, Outputs AS-i Slaves 1..3
ASi_Output.Data[0] 0	0	BOOL	C1: AS-i Slave 3, Bit 0
ASi_Output.Data[0] 1	0	BOOL	C1: AS-i Slave 3, Bit 1
ASi_Output.Data[0] 2	0	BOOL	C1: AS-i Slave 3, Bit 2
ASi_Output.Data[0] 3	0	BOOL	C1: AS-i Slave 3, Bit 3
ASi_Output.Data[0] 4	0	BOOL	C1: AS-i Slave 2, Bit 0
ASi_Output.Data[0] 5	0	BOOL	C1: AS-i Slave 2, Bit 1
ASi_Output.Data[0] 6	0	BOOL	C1: AS-i Slave 2, Bit 2
ASi_Output.Data[0] 7	0	BOOL	C1: AS-i Slave 2, Bit 3
ASi_Output.Data[0] 8	0	BOOL	C1: AS-i Slave 1, Bit 0
ASi_Output.Data[0] 9	0	BOOL	C1: AS-i Slave 1, Bit 1
ASi_Output.Data[0] 10	0	BOOL	C1: AS-i Slave 1, Bit 2
ASi_Output.Data[0] 11	1	BOOL	C1: AS-i Slave 1, Bit 3
ASi_Output.Data[0] 12	0	BOOL	C1: AS-i off-line
ASi_Output.Data[0] 13	0	BOOL	C1: LOS-Master-Bit
ASi_Output.Data[0] 14	0	BOOL	C1: switch to ConfigurationMode
ASi_Output.Data[0] 15	0	BOOL	C1: switch to ProtectedMode