

**Model Number****IPH-FP-V1**

LF read/write head for IDENTControl

Features

- Connection via V1 (M12 x 1) plug connection
- Dual-LED for function display
- Degree of protection IP67

Accessories**V1-G-5M-PUR-ABG-V1-W**

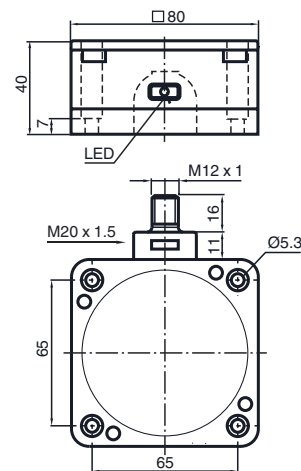
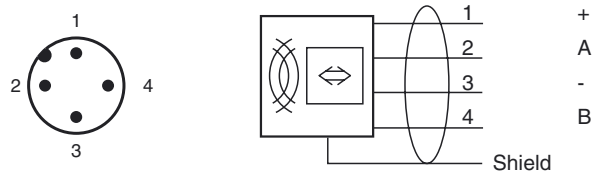
Connecting cable, M12 to M12, PUR cable 4-pin, shielded

V1-G-10M-PUR-ABG-V1-W

Connecting cable, M12 to M12, PUR cable 4-pin, shielded

AB-FP

Mounting bracket

Dimensions**Electrical connection****Technical data****General specifications**

Operating frequency	125 kHz
Transfer rate	2 kBit/s
Sensing range	
Read distance	0 ... 100 mm
Write distance	0 ... 80 mm
Width	max. 80 mm
Operating distance	maximum: 100 mm
UL File Number	E87056

Functional safety related parameters

MTTF _d	710 a
Mission Time (T _M)	10 a
Diagnostic Coverage (DC)	0 %

Indicators/operating means

LED green/yellow	green: power on green flashing: read/write attempt performed yellow: data carrier detected
------------------	--

Electrical specifications

Power consumption	P ₀	≤ 1.2 W
Supply	from the IDENTControl	

Ambient conditions

Ambient temperature	-25 ... 70 °C (-13 ... 158 °F)
Storage temperature	-40 ... 85 °C (-40 ... 185 °F)

Mechanical specifications

Degree of protection	IP67
Connection	M12 x 1 connector
Material	
Housing	PBT
Base	diecast aluminum
Encapsulation compound	Fermadur
Installation	
Distance between two heads	Multiplex on: ≥ 100 mm Multiplex off: ≥ 550 mm
Mass	approx. 380 g

Compliance with standards and directives

Directive conformity	
R&TTE Directive 1995/5/EC	EN 301489-1 V1.8.1 (2008-04), EN 301489-3 V1.4.1 (2002-08), EN 300330-2 V1.3.1 (2006-04), EN 60950-1:2006



Standard conformity

Electromagnetic compatibility EN 61326

Degree of protection EN 60529

Release date: 2015-04-16 09:59 Date of issue: 2015-04-29 126055_eng.xml