



Model Number

U-P3-R4-V15

Base with addressable serial Interface RS 485

Features

- Protection degree IP67
- Simple bus system with up to 30 units
- Serial interface RS 485, addressable

Function

The base is used in combination with an upper part, the IPT*-FP read/write station. An addressable RS 485 interface is available. It is thus possible to create a simple bus connection with up to 30 subscribers.

The address is set and the terminating resistor for the bus is connected via DIP switches. The read/write station is connected to a higher-order control system via the serial interface and receives the commands for writing and/or reading code or data carriers via this interface.

Matching system components

IPT-FP

Read/write station

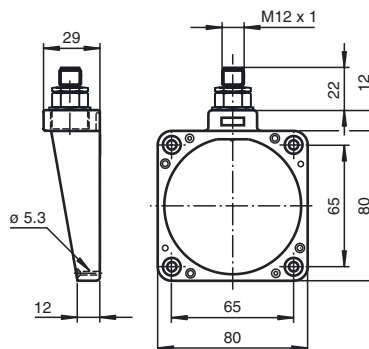
IPG-G4-B7-V15

DeviceNet Bus coupler for IDENT-I System P

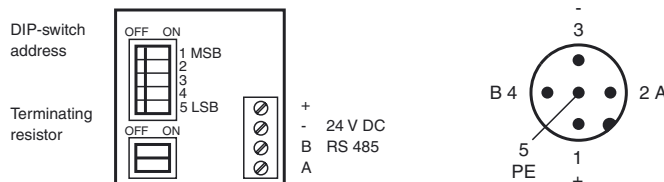
IPT1-FP

Read/write station

Dimensions



Electrical connection



Technical data

Indicators/operating means

DIP-switch	Setting the station address bus connection ON = active OFF = non-active
------------	---

Electrical specifications

Rated operational voltage	U_e	20 ... 30 V DC , ripple 10 % _{SS} , PELV
Power consumption	P_0	max. 4 W with read/write head IPT*-FP
Electrical isolation		
Operating voltage/interface		functional insulation acc. to DIN EN 50178, rated insulation voltage 50 V _{eff}

Interface

Physical	RS 485, addressable , up to 30 bases , address 1 ... 30
Protocol	ASCII
Transfer rate	1200; 2400; 4800; 9600; 19200; 38400 Bit/s
Cable length	≤ 1200 m

Ambient conditions

Ambient temperature	-25 ... 70 °C (-13 ... 158 °F)
Storage temperature	-40 ... 85 °C (-40 ... 185 °F)

Mechanical specifications

Protection degree	IP67 according to EN 60529 with IPT*-FP
Connection	M12 x 1 connector, 5-pin
Material	
Housing	diecast aluminum