

### Model Number

#### U-P3V4A-RX

Base with serial interfaces RS 232 and RS 485, stainless steel version V4A

### Features

- high-grade steel housing V4A
- With serial interfaces RS 232 and RS 485
- Protection degree IP67
- Resistant against cleaning material

### Function

The base is used in combination with an upper part, the IPT\*-FP read/write station. Either a RS 232 or RS 485 interface is available.

The read/write station is connected to a higher-order control system via the serial interface and receives the commands for writing and/or reading code or data carriers via this interface.

### Software

Communication with the identification system is very easy with the demo program IDENT 2005. It shows the system options and simplifies commissioning.

The demo program is included in the scope of delivery.

### Matching system components

#### IPT-FP

Read/write station

#### IPT1-FP

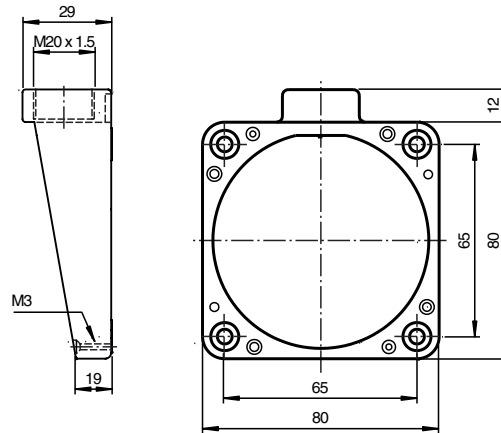
Read/write station

### Accessories

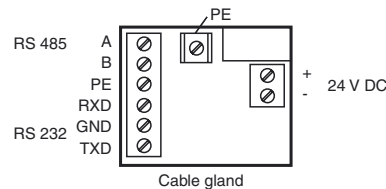
#### RFIDControl

Software for RFID identification systems

### Dimensions



### Electrical connection



### Technical data

#### Electrical specifications

Rated operational voltage  $U_e$  20 ... 30 V DC, ripple 10 %<sub>SS</sub>, PELV

Power consumption  $P_0$  max. 4 W with read/write head IPT\*-FP

#### Electrical isolation

Operating voltage/interface functional insulation acc. to DIN EN 50178, rated insulation voltage 50 V<sub>eff</sub>

#### Interface

Physical RS 232/RS 485

Protocol ASCII

Transfer rate 1200; 2400; 4800; 9600; 19200; 38400 Bit/s

Cable length ≤ 15 m at RS 232  
≤ 1200 m at RS 485

#### Ambient conditions

Ambient temperature -25 ... 70 °C (-13 ... 158 °F)

Storage temperature -40 ... 85 °C (-40 ... 185 °F)

#### Mechanical specifications

Protection degree IP67 (only in connection with write/read head or cover)

Connection screw terminals

Interface cable 3 conductor, acc. to RS 232 or 2 acc. to RS 485

Supply up to 3 x 1.5 mm<sup>2</sup>

Material

Housing stainless steel V4A

#### Compliance with standards and directives

Standard conformity

Protection degree EN 60529