



Model Number

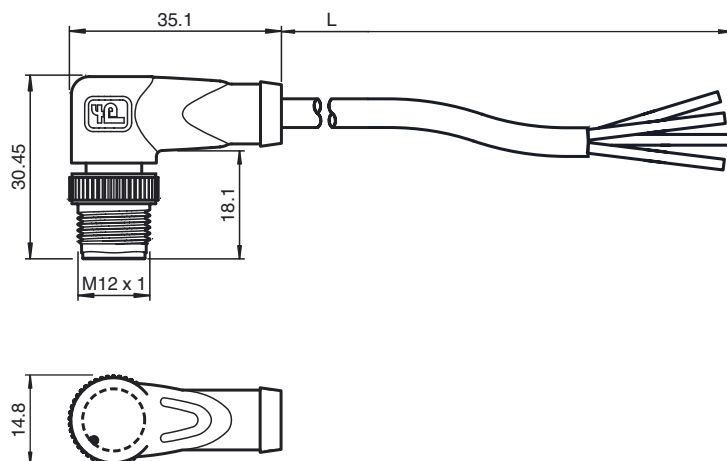
V1S-W-5M-PVC

Cable connector, M12, 4-pin, PVC cable

Features

- Knurled nut suitable for tool assembly
- Immunity to vibration, with mechanical latching
- Gold-plated and machined contacts
- Protection degree IP67 / IP68 / IP69K

Dimensions



Technical data

General specifications

| | |
|---------------------|----------------|
| Number of pins | 4 |
| Connection 1 | Male connector |
| Construction type 1 | right angle |
| Threading 1 | M12 |
| Connection 2 | cable end |

Electrical specifications

| | | |
|--------------------|-------|------------------|
| Operating voltage | U_B | max. 250 V AC/DC |
| Operating current | | max. 4 A |
| Contact resistance | | < 10 mΩ |

Ambient conditions

| | |
|---------------------|--|
| Ambient temperature | Body: -40 ... 90 °C (-40 ... 194 °F) cable, fixed: -25 ... 70 °C (-13 ... 158 °F) cable, flexing: -5 ... 70 °C (23 ... 158 °F) |
| Pollution Degree | 3 |

Mechanical specifications

| | | |
|------------------------|-------------------------------|-----|
| Pin diameter | 1 mm | |
| Protection degree | IP67 / IP68 / IP69K | |
| Material | | |
| Contacts | CuSn / Au | |
| Contact surface | Au | |
| Body | TPU, black | |
| Cable | PVC | |
| Sleeve connector | Diecast zinc | |
| Core insulation | PVC | |
| Cable | fine-strand, flexible | |
| Sheath diameter | Ø 4.8 mm | |
| Bending radius | > 10 x cable diameter, moving | |
| Color | grey | |
| Cores | 4 x 0.34 mm ² | |
| Conductor construction | 19 x 0.15 mm Ø | |
| Length | L | 5 m |
| Flammability | | |
| Contact material | 94 HB | |
| Housing | 94 V-2 | |

Compliance with standards and directives

| | |
|---------------------|---|
| Standard conformity | |
| Protection degree | EN 60529:2000 |
| Standards | IEC 61076-2-101:2008 |
| Flammability | Grip: UL 94 Lead: IEC 60332-2-2:2004 |

Electrical connection

