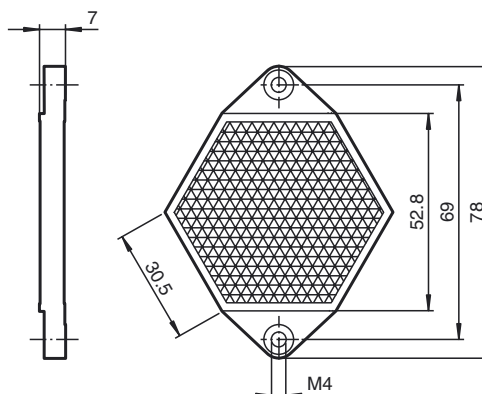


## Dimensions



### Model Number

#### REF-MH78

Reflector with Micro-structure, hexagonal 78 mm x 61 mm, mounting holes

### Features

- Mounting holes for simple installation
- Micro-structure

## Technical data

### General specifications

Construction type hexagonal

### Ambient conditions

Ambient temperature -20 ... 85 °C (-4 ... 185 °F)

### Mechanical specifications

Material PMMA/ABS

Dimensions 78 mm x 61 mm x 7 mm

Mounting mounting holes

## Note

### Reflectors

Polarized retro-reflective sensors must use corner-cube reflectors.

Microstructure, corner-cube reflectors are used with laser retro-reflective sensors that have short sensing distances.