



Model Number

U-P6V4A-B6

Base for PROFIBUS DP, stainless steel version

Features

- PROFIBUS DP acc. to EN 50170
- 2 PG screw fittings for IN and OUT supply
2 EMV PG screw fittings for BUS IN and OUT
- Complete read/write functionality via the PROFIBUS DP
- Transmission of up to 7 double words, 32 bit each, in one cycle
- Connectable bus termination
- Field device with protection degree IP67
- high-grade steel housing V4A
- Resistant against cleaning material

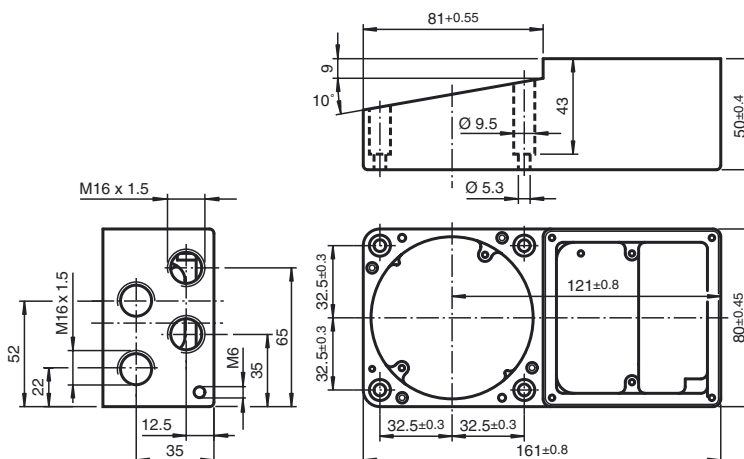
Function

The base is used in combination with an upper part, the IPT*-FP read/write station.

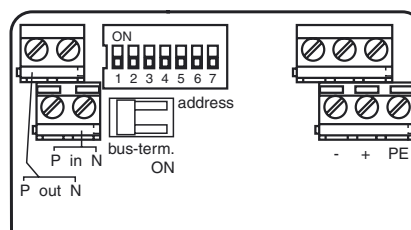
The device is operated as a slave on the PROFIBUS DP. The device makes available the complete read/write functionality. Up to 32 bytes are transmitted per cycle. Of these, up to 7 double words, each with 32 bits, are available to the user.

The address is set and the terminating resistor for the bus is connected via DIP switches. While the bus termination is switched on, the subsequent subscribers which are connected to the terminals (P, N out) are disconnected from the bus.

Dimensions



Electrical connection



Technical data

Indicators/operating means

DIP-switch	Setting the station address bus connection ON = active OFF = non-active
------------	---

Electrical specifications

Rated operational voltage	U_e	20 ... 30 V DC, ripple 10 % _{SS} , PELV
Power consumption	P_0	max. 5 W with read/write head IPT*-FP

Electrical isolation

Operating voltage/interface	functional insulation acc. to DIN EN 50178, rated insulation voltage 50 V _{eff}
-----------------------------	--

Interface

Physical	RS 485
Protocol	PROFIBUS DP acc. to EN 50170
Transfer rate	9.6; 19.2; 93.75; 187.5; 500; 1500 kBit/s 3; 6; 12 Mbit/s self-synchronizing

Ambient conditions

Ambient temperature	-25 ... 70 °C (-13 ... 158 °F)
Storage temperature	-40 ... 85 °C (-40 ... 185 °F)

Mechanical specifications

Protection degree	IP67 (only in connection with write/read head or cover)
Connection	screw terminals
Interface cable	2 x 0.64 mm ² , double screened, acc. to PROFIBUS standard EN 50170
Supply	up to 3 x 1.5 mm ²
Material	
Housing	stainless steel V4A



Matching system components

IPT1-FP

Read/write station

IPT-FP

Read/write station

Release date: 2011-07-19 12:11 Date of issue: 2011-07-19 128232_eng.xml