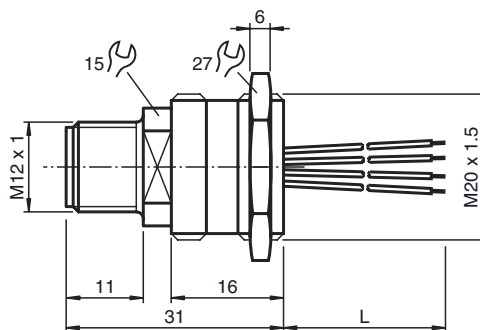




**Dimensions**



**Model Number**

**V1-M20-80**

Receptacles, M12/M20; plastic version

**Features**

- Plastic version
- Front/screw mounting
- M12 plug can be mounted in any position

**Technical data**

**General specifications**

Number of pins	4
Connection 1	Male connector
Construction type 1	straight
Threading 1	M12
Connection 2	cable end

**Ambient conditions**

Ambient temperature	-25 ... 70 °C (-13 ... 158 °F)
---------------------	--------------------------------

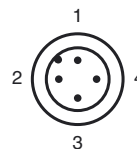
**Mechanical specifications**

Degree of protection	IP67 when sealing with O-Ring
Connection	Single strand leads with connector sleeves
Material	
Connector	PA 66
Core insulation	PVC
Cable	
Cores	4 x 0.25 mm <sup>2</sup>
Length	L 80 mm
Installation	Front mounting M20

**Compliance with standards and directives**

Standard conformity	
Degree of protection	EN 60529

**Electrical connection**



**Electrical connection**

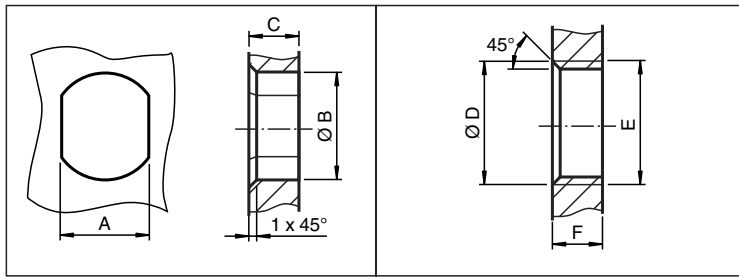
1	BN
2	WH
3	BU
4	BK

**Note**

O-ring (13,3 x 2,4) and lock nut are included in the delivery package.

Release date: 2014-10-06 11:00 Date of issue: 2014-10-06 128735\_eng.xml

Installation Note



	A	B	C	D	E	F
M8	7.1 <sup>+0.1</sup>	Ø 8.2 <sup>+0.1</sup>	2 - 4 mm	-	M8x0.5	2 - 4 mm
M12	11 <sup>+0.1</sup>	Ø 12.2 <sup>+0.1</sup>	< 4 mm	-	M12x1	< 4.5 mm
M16	13.5 <sup>+0.1</sup>	Ø 16.1	< 4.5 mm	Ø 17 <sup>+0.2</sup>	M16x1.5	> 2.5 mm
M20	13.5 <sup>+0.1</sup>	Ø 20.1	-	Ø 20 <sup>+0.2</sup>	M20x1.5	< 6 mm
PG9	13.5 <sup>+0.1</sup>	Ø 15.3 <sup>+0.1</sup>	< 4.5 mm	Ø 16	PG9	> 2.5 mm
PG13.5	18.8 <sup>+0.1</sup>	Ø 20.5 <sup>+0.1</sup>	-	Ø 22 <sup>±0.1</sup>	PG13.5	-

Release date: 2014-10-06 11:00 Date of issue: 2014-10-06 128735\_eng.xml