



### Model Number

**IPT-FP3A6-R2**

LF R/W system, fully assembled as configuration and test station

### Features

- All necessary components are included in delivery
- With integrated control interface unit
- Separate plug mains unit
- Serial interface RS 232
- 2 LEDs as function indicators
- Read distance of up to 100 mm
- Write distance of up to 50 mm

### Function

The read/write station IPT-FP3A6-R2 is the connection between the inductive read/write head and the base, which contains a serial interface for connection to a computer. The complete device contains the evaluation and receives commands for reading or writing code carriers or data carriers via the interface.

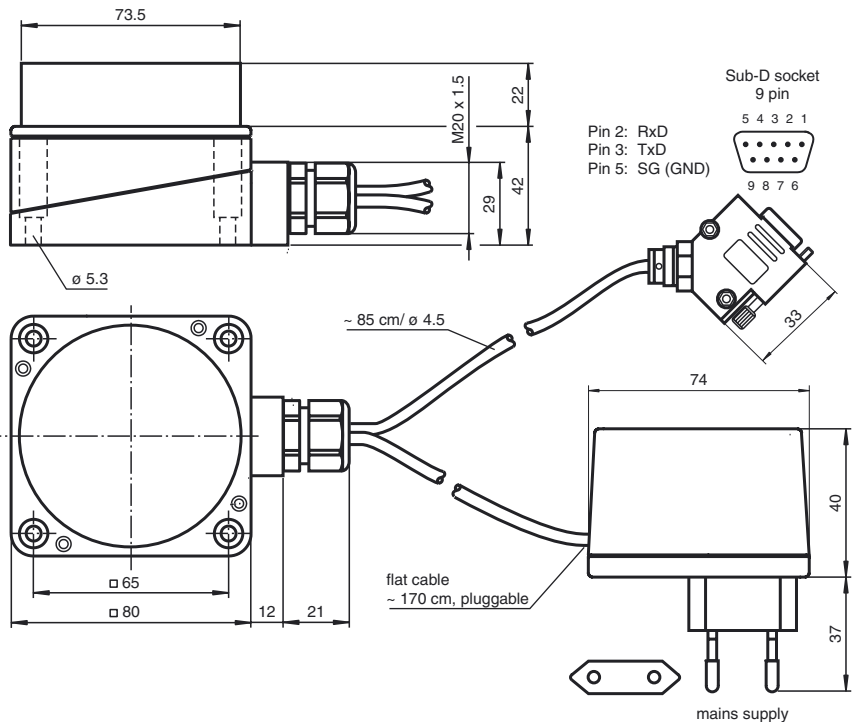
Due to the integration of the voltage supply and the pluggable connection of the interface, as simple system configuration is possible.

### Software

Communication with the identification system is very easy with the demo program IDENT 2005. It shows the system options and simplifies commissioning.

The demo program is included in the scope of delivery.

### Dimensions



### Technical data

#### General specifications

Operating frequency	125 kHz
Transfer rate	2 kBit/s
Operating distance	maximum: 100 mm
UL File Number	E87056

#### Indicators/operating means

LED green	Power on
LED yellow	IPC detected

#### Electrical specifications

Operating voltage	$U_B$	90 ... 264 V AC, 50/60 Hz
Operating current	$I_B$	250 mA
Power consumption	$P_0$	$\leq 0.4$ W

#### Interface

Physical	RS 232
Protocol	ASCII
Transfer rate	1200; 2400; 4800; 9600; 19200; 38400

#### Standard conformity

Electromagnetic compatibility	EN 61326, EN 301489-1, EN 301489-3, EN 300330-2
Standards	EN 60950-1

#### Ambient conditions

Ambient temperature	-10 ... 40 °C (14 ... 104 °F)
Storage temperature	-25 ... 70 °C (-13 ... 158 °F)

#### Mechanical specifications

Degree of protection	IP20
Connection	Interface : 9-pin Sub-D socket supply : power plug
Interface cable	3 conductor acc. to RS 232
Supply	2 x 2 x 0.14 mm <sup>2</sup>
Material	
Housing	Upper section: Crastin/PBT base: diecast aluminum power supply: plastic