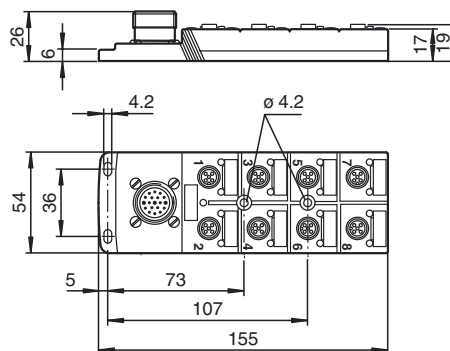




Dimensions



Model Number

V1-8A-E2-M23

Splitter box octuple with M23 connector

Features

- Fast, flexible installation/separation
- LED indicator for module supply and I/O status
- Degree of protection IP67

Accessories

VAZ-V1-B3

Blind plug for M12 sockets

MH 05-SACB-8

Mounting aid for DIN rail

MH V1-SCREWDRIVER

torque screwdriver (0.4 Nm)

MH V1-BIT M12

plug-in cap M12

V23-G-5M-PUR

Female cordset, M23, 12-pin, PUR cable

V23-G-10M-PUR

Female cordset, M23, 12-pin, PUR cable

Technical data

General specifications

Number of pins 4

Indicators/operating means

LED green supply voltage each module
LED yellow I/O status indication

Electrical specifications

Operating voltage U_B 24 V DC, max. 30 V DC
Operating current I_B ≤ 5 mA per channel indication element
Current loading capacity ≤ 2 A per channel,
 ≤ 4 A per plug-in station,
 ≤ 12 A total current per separator

Ambient conditions

Ambient temperature -20 ... 75 °C (-4 ... 167 °F)

Mechanical specifications

Connection type 8 x socket M12 x 1 4-pin
1 x Male connector M23

Degree of protection IP65/IP67

Material

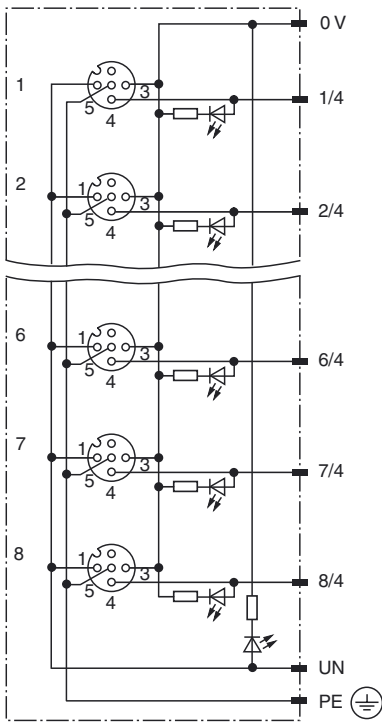
Contacts CuSn
Contact surface Ni/Au
Housing PA
Seal O-ring: NBR
Mass approx. 134 g
Flammability 94 V-0

Compliance with standards and directives

Standard conformity
Degree of protection EN 60529

Release date: 2014-10-30 11:56 Date of issue: 2015-02-05 180248_eng.xml

Electrical connection



Slot/Pin (signal)	Pin M23
1 / 4 (A)	1
2 / 4 (A)	2
3 / 4 (A)	3
4 / 4 (A)	4
5 / 4 (A)	5
6 / 4 (A)	6
7 / 4 (A)	7
8 / 4 (A)	8
1-8 / 1 (UN)	11
1-8 / 3 (0 V)	9+10
1-8 / 5 (PE)	12

