

### Model Number

**ISH-18GM-V1**

System IS read/write head for IDENT-Control

### Features

- Read/write head with thread M18 x 1
- Connection via V1 (M12 x 1) plug connection
- Multihole-LED for function display
- Degree of protection IP67

### Accessories

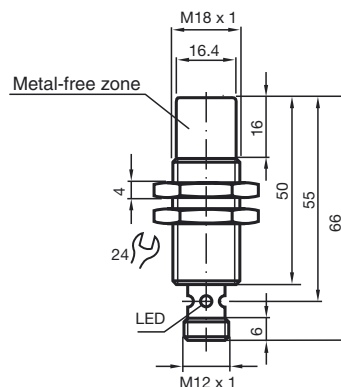
#### V1-G-5M-PUR-ABG-V1-W

Connecting cable, M12 to M12, PUR cable 4-pin, shielded

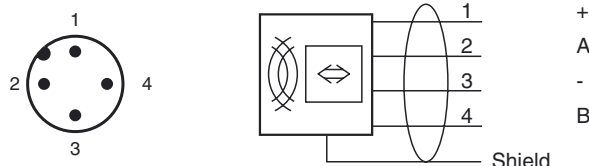
#### V1-G-10M-PUR-ABG-V1-W

Connecting cable, M12 to M12, PUR cable 4-pin, shielded

## Dimensions



## Electrical connection



## Technical data

### General specifications

Operating frequency	250 kHz
Transfer rate	20 kBit/s
Operating distance	maximum: 42 mm
UL File Number	E87056

### Functional safety related parameters

MTTF <sub>d</sub>	640 a
Mission Time (T <sub>M</sub> )	10 a
Diagnostic Coverage (DC)	0 %

### Indicators/operating means

LED green/yellow	Multihole-LED: green: power on green flashing: read/write attempt performed yellow: data carrier detected
------------------	--

### Electrical specifications

Power consumption	P <sub>0</sub>	≤ 1.8 W
Supply		from the IDENTControl

### Ambient conditions

Ambient temperature	-25 ... 70 °C (-13 ... 158 °F)
Storage temperature	-40 ... 85 °C (-40 ... 185 °F)

### Mechanical specifications

Degree of protection	IP67
Connection	M12 x 1 connector
Material	
Housing	PBT/stainless steel
Encapsulation compound	Fermadur
Installation	non-flush
Distance between two heads	Multiplex on: ≥ 155 mm Multiplex off: ≥ 350 mm
Mass	approx. 40 g

### Compliance with standards and directives

Directive conformity	
R&TTE Directive 1995/5/EC	EN 301489-1 V1.8.1 (2008-04), EN 301489-3 V1.4.1 (2002-08), EN 300330-2 V1.3.1 (2006-04), EN 60950-1:2006
Standard conformity	
Electromagnetic compatibility	EN 61326
Degree of protection	EN 60529