

Model Number

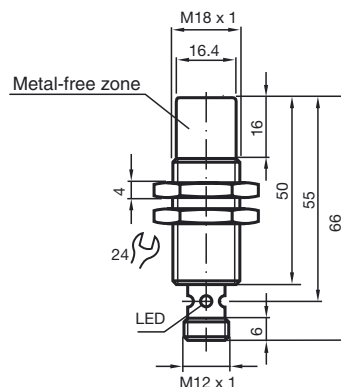
IQH-18GM-V1

HF read/write head, ISO 15693, for IDENTControl

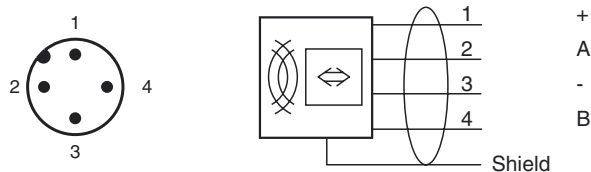
Features

- Operating frequency 13.56 MHz
- Conforms to ISO 15693
- Read/write head with thread M18 x 1
- Connection via V1 (M12 x 1) plug connection
- Multihole-LED for function display
- Degree of protection IP67

Dimensions



Electrical connection



Technical data

General specifications

Operating frequency	13.56 MHz
Transfer rate	26 kBit/s
Sensing range	
Read distance	0 ... 55 mm
Write distance	0 ... 55 mm
Width	max. 45 mm
UL File Number	E87056

Indicators/operating means

LED green/yellow	Multihole-LED: green: power on green flashing: read/write attempt performed yellow: data carrier detected
------------------	--

Electrical specifications

Power consumption	P_0	≤ 1.2 W
Supply		from the IDENTControl

Ambient conditions

Ambient temperature	-25 ... 70 °C (-13 ... 158 °F)
Storage temperature	-40 ... 85 °C (-40 ... 185 °F)

Mechanical specifications

Degree of protection	IP67
Connection	M12 x 1 connector
Material	
Housing	PBT/stainless steel
Encapsulation compound	CY 221/HY 2966
Installation	non-flush
Distance between two heads	Multiplex on: ≥ 30 mm Multiplex off: ≥ 80 mm
Mass	approx. 40 g

Compliance with standards and directives

Directive conformity	
R&TTE Directive 1995/5/EC	EN 301489-1 V1.8.1 (2008-04), EN 301489-3 V1.4.1 (2002-08), EN 300330-2 V1.3.1 (2006-04), EN 60950-1:2006
Standard conformity	
Electromagnetic compatibility	EN 61326
Degree of protection	EN 60529
RFID	ISO/IEC 15693-2:2006, ISO/IEC 15693-3:2009, ISO/IEC 18000-3

Accessories**IQC21-50P**

Data carrier

IQC21-58

Data carrier

IQC22-C1

Data carrier

IQC22-C4

Data carrier

IQC22-C5

Data carrier

V1-G-5M-PUR-ABG-V1-W

Connecting cable, M12 to M12, PUR cable 4-pin, shielded

V1-G-10M-PUR-ABG-V1-W

Connecting cable, M12 to M12, PUR cable 4-pin, shielded

IQC24-27-T12

Data carrier

IQC31-22-T9

Data carrier

IQC22-22CT-T9

Data carrier

IQC22-C1 UNPRINTED

Data carrier

IQC21-50PVC

Data carrier

IQC21-F125

Data carrier