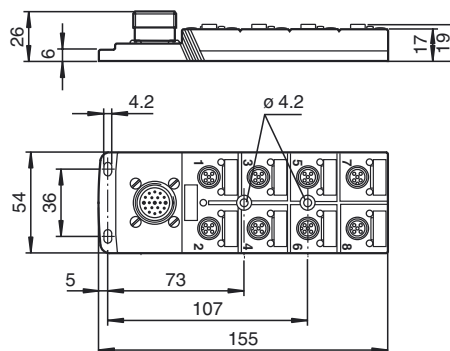




**Dimensions**



**Model Number**

**V1-8A-M23**

Splitter box octuple with M23 connector

**Features**

- Fast, flexible installation/separation
- Degree of protection IP67

**Accessories**

**VAZ-V1-B3**

Blind plug for M12 sockets

**MH 05-SACB-8**

Mounting aid for DIN rail

**MH V1-SCREWDRIVER**

torque screwdriver (0.4 Nm)

**MH V1-BIT M12**

plug-in cap M12

**V23-G-5M-PUR**

Female cordset, M23, 12-pin, PUR cable

**V23-G-10M-PUR**

Female cordset, M23, 12-pin, PUR cable

**Technical data**

**General specifications**

Number of pins 4

**Indicators/operating means**

LED green supply voltage each module

**Electrical specifications**

Operating voltage  $U_B$  120 V DC, max. 135 V DC  
 Operating current  $\leq 5$  mA per channel indication element  
 Current loading capacity  $\leq 2$  A per channel,  
 $\leq 4$  A per plug-in station,  
 $\leq 12$  A total current per separator

**Ambient conditions**

Ambient temperature  $-20 \dots 75$  °C ( $-4 \dots 167$  °F)

**Mechanical specifications**

Connection type 8 x socket M12 x 1 4-pin  
 1 x Male connector M23  
 Degree of protection IP65/IP67

**Material**

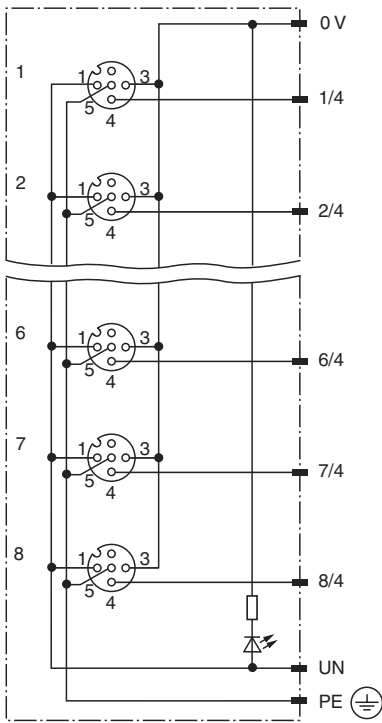
Contacts CuSn  
 Contact surface Ni/Au  
 Housing PA  
 Seal O-ring: NBR  
 Mass approx. 134 g  
 Flammability 94 V-0

**Compliance with standards and directives**

Standard conformity  
 Degree of protection EN 60529

Release date: 2014-10-30 11:56 Date of issue: 2014-10-30 189264\_eng.xml

Electrical connection



Slot/Pin (signal)	Pin M23
1 / 4 (A)	1
2 / 4 (A)	2
3 / 4 (A)	3
4 / 4 (A)	4
5 / 4 (A)	5
6 / 4 (A)	6
7 / 4 (A)	7
8 / 4 (A)	8
1-8 / 1 (UN)	11
1-8 / 3 (0 V)	9+10
1-8 / 5 (PE)	12

