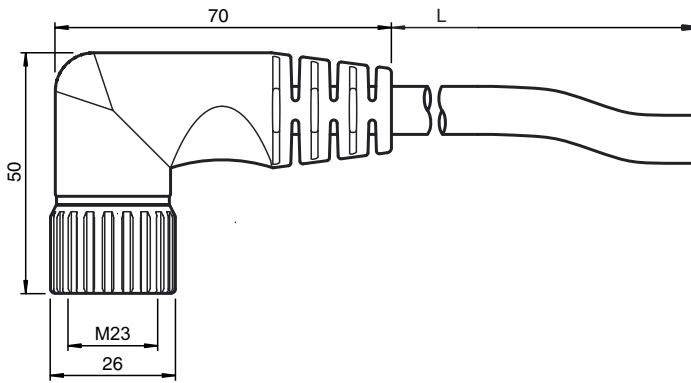




Dimensions



Model Number

V23-W-10M-PUR

Female cordset, M23, 12-pin, PUR cable

Features

- Sturdy design
- Plastic-coated
- Flame resistant cable
- Oil resistant

Technical data

General specifications

Number of pins	12
Connection 1	socket
Construction type 1	right angle
Threading 1	M23
Connection 2	cable end

Electrical specifications

Operating voltage	U _B	300 V AC/DC
Operating current		8 A
Contact resistance		< 3 mΩ

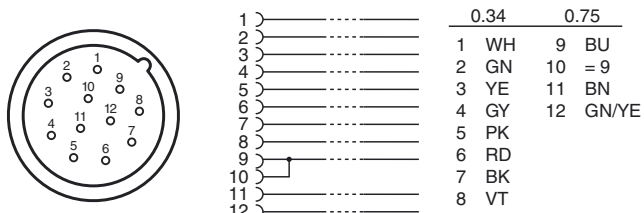
Ambient conditions

Ambient temperature	Body: -40 ... 125 °C (-40 ... 257 °F) cable, flexing: -5 ... 80 °C (23 ... 176 °F) cable, fixed: -40 ... 90 °C (-40 ... 194 °F)
Pollution Degree	2

Mechanical specifications

Protection degree	IP68
Material	
Contacts	CuZn, nickel-plated
Contact surface	Au
Body	PUR
Cable	PUR
Seal	FPM
Core insulation	PVC
Cable	
Sheath diameter	Ø 8.5 mm
Color	black
Cores	8 x 0.34 mm ² and 3 x 0.75 mm ²
Conductor construction	19 x 0.15 mm and 42 x 0.15 mm
Length	L 10 m
Mating cycles	50

Electrical connection



Release date: 2014-01-15 15:04 Date of issue: 2014-01-23 183272_eng.xml

Refer to "General Notes Relating to Pepperl+Fuchs Product Information".