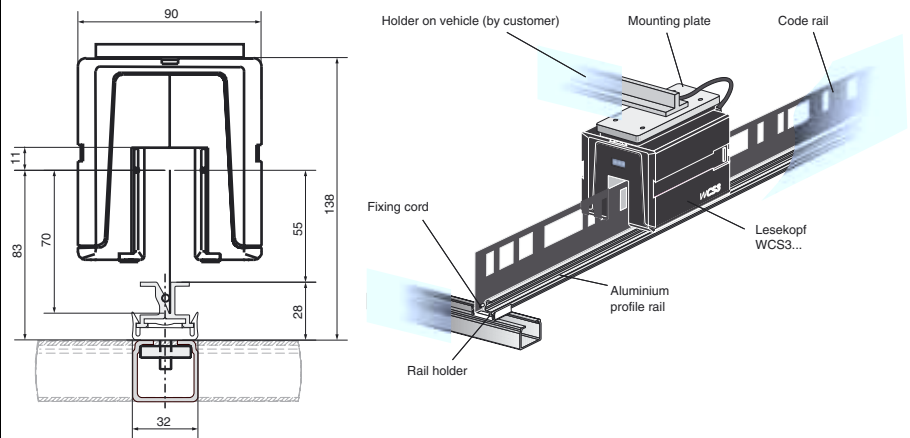


Dimensions



Model number

WCS3-PS1

WCS3 profile rail

Features

- Rapid installation
- Holds both, laminate and stainless steel code rails
- Long suspension distance
- All mounting orientations are possible

Accessories

WCS3-FT1

Fitting tool for WCS3 aluminum profile system

Matching system components

WCS-MF1

Wrist strap

WCS3-MH1

WCS3 screw-on holder

WCS3-MH2

WCS3 holder for C profile

WCS3-MC1

Joint

Technical data

Ambient conditions

Operating temperature -40 ... 70 °C (-40 ... 158 °F)

Mechanical specifications

Bending radius	≥ 700 mm
Material	aluminum
Thermal expansion coefficient	$2.4 \times 10^{-5} / K$
Mass	450 g / m

A special aluminium profile system has been developed for the rapid installation of the 70 mm high WCS3 code rail in plastic laminate or stainless steel. The aluminium profile rail is designed to take the code rail. It has been designed to provide optimum flexural strength in all directions in spite of its low weight. The aluminium profile system can be fitted in any position. The profile rails are supplied in 6 m sections.