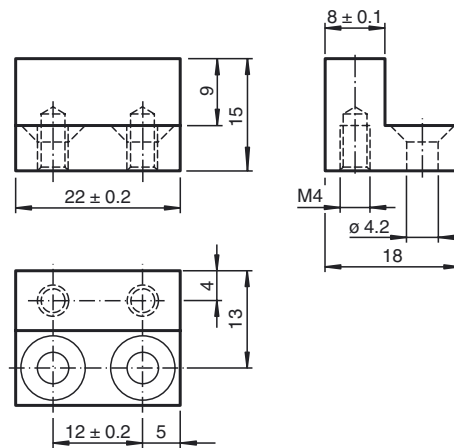


## Dimensions



## Model Number

**BT-F90-G**

Damping element for F90 sensors; front screw holes

## Technical data

### Mechanical specifications

Material	Steel ST37 / 1.0037
Mass	20 g