



Model Number

RMS Weather cap

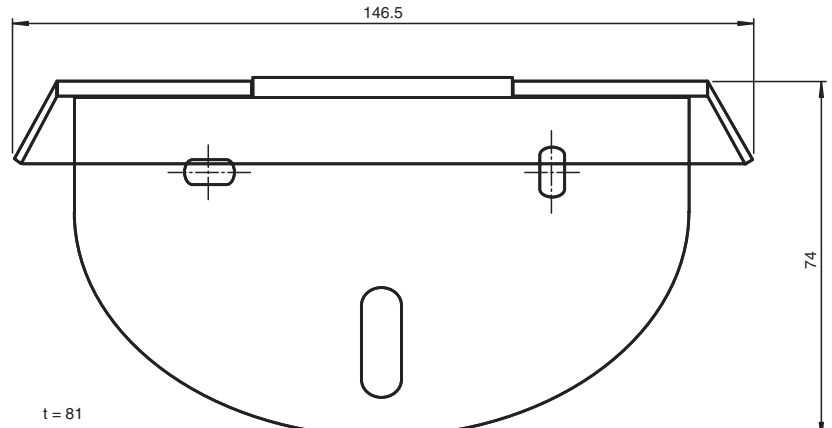
All-weather hood for RMS series micro-wave sensors, for ceiling and wall installation

Features

- Roof mounting- weather cap set for simple mounting on roofs and exposed positions
- Protection from adverse effects of weather such as rain, snow, etc.
- Installation without tools

Color: black

Dimensions



Technical data

Mechanical specifications

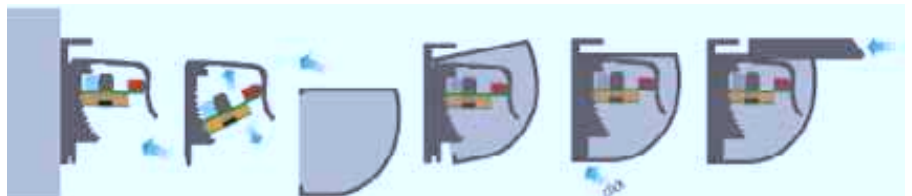
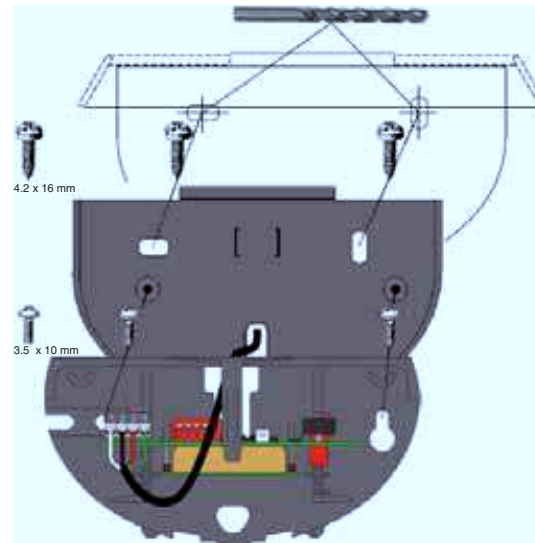
Material	plastic
Mounting	Mounting accessories included

Suitable series

Series	RMS
--------	-----

Installation

Weather-cap installation



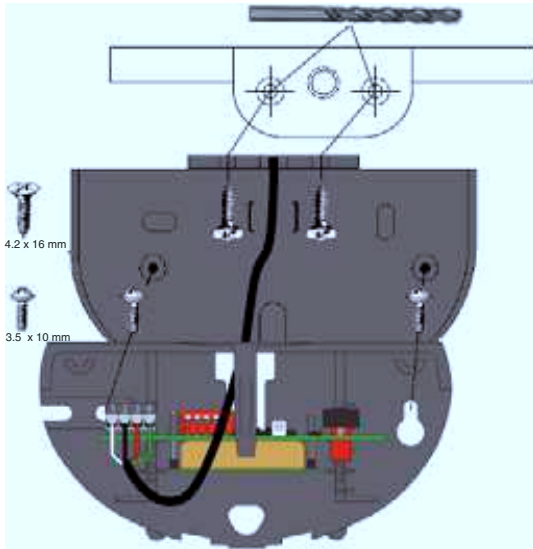
Disassembling:

- 1) Weather-cap
- 2) Cover



Release date: 2012-03-28 10:11 Date of issue: 2012-04-23 184853_eng.xml

Ceiling-mounting



Disassembling: Cover

