



**Model Number**

**GD18/GV18/25/102/115**

Thru-beam sensor  
with 2 m fixed cable

**Features**

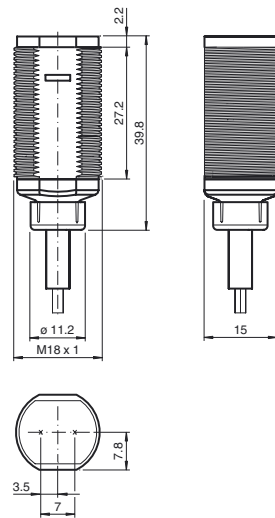
- Efficient Line in a short M18 plastic housing for standard applications
- Very high detection range
- 4 LEDs indicator for 360° visibility
- Version with front optical face
- DC voltage version

**Product information**

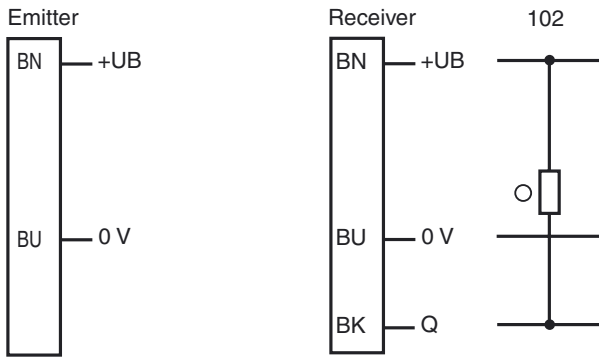
The GLV/GLK18 series sensors help improve the efficiency of machines and systems. The design of the M18 plastic housing, the connection technology, and sensor properties are highly standardized. Concentrating on the key sensor requirements has produced a robust and reliable product series for DC and AC/DC voltage systems without any over-engineering. The mounting set included in the scope of delivery and the optimized potentiometer design ensure fast assembly and easy configuration.

Release date: 2013-01-14 15:22 Date of issue: 2013-02-04 188549\_eng.xml

**Dimensions**

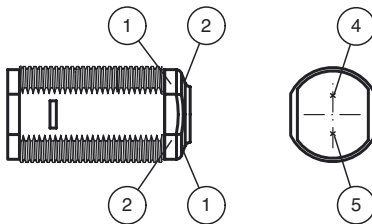


**Electrical connection**



- = Light on
- = Dark on

**Indicators/operating means**



|   |                   |        |
|---|-------------------|--------|
| 1 | Operating display | green  |
| 2 | Signal display    | yellow |
| 4 | Emitter           |        |
| 5 | Receiver          |        |

**Technical data****System components**

|          |                 |
|----------|-----------------|
| Emitter  | GD18/115        |
| Receiver | GV18/25/102/115 |

**General specifications**

|                            |                                      |
|----------------------------|--------------------------------------|
| Effective detection range  | 0 ... 20 m                           |
| Threshold detection range  | 25 m                                 |
| Light source               | LED                                  |
| Light type                 | modulated visible red light , 640 nm |
| Diameter of the light spot | approx. 1300 mm at 25 m              |
| Angle of divergence        | approx. 3 °                          |
| Optical face               | frontal                              |
| Ambient light limit        | 30000 Lux                            |

**Functional safety related parameters**

|                                |       |
|--------------------------------|-------|
| MTTF <sub>d</sub>              | 630 a |
| Mission Time (T <sub>M</sub> ) | 20 a  |
| Diagnostic Coverage (DC)       | 0 %   |

**Indicators/operating means**

|                   |   |
|-------------------|---|
| Operating display | LED green, statically lit Power on  |
| Function display  | Receiver: LED yellow, lights up when light beam is free, flashes when falling short of the stability control ; OFF when light beam is interrupted |

**Electrical specifications**

|                        |                |                |
|------------------------|----------------|----------------|
| Operating voltage      | U <sub>B</sub> | 10 ... 30 V DC |
| No-load supply current | I <sub>0</sub> | < 20 mA        |

**Output**

|                     |   |            |
|---------------------|---|------------|
| Switching type      | light on                                      |            |
| Signal output       | 1 NPN, short-circuit protected open collector |            |
| Switching voltage   | max. 30 V DC                                  |            |
| Switching current   | max. 100 mA                                   |            |
| Voltage drop        | U <sub>d</sub>                                | ≤ 1.5 V DC |
| Switching frequency | f   | 500 Hz     |
| Response time       |   | ≤ 1 ms     |

**Ambient conditions**

|                     |                                |
|---------------------|--------------------------------|
| Ambient temperature | -25 ... 60 °C (-13 ... 140 °F) |
| Storage temperature | -40 ... 70 °C (-40 ... 158 °F) |

**Mechanical specifications**

|                   |                         |
|-------------------|-------------------------|
| Protection degree | IP67                    |
| Connection        | 2 m fixed cable         |
| Material          |                         |
| Housing           | PC                      |
| Optical face      | PMMA                    |
| Mass              | approx. 75 g per device |

**Compliance with standards and directives**

|                     |   |
|---------------------|---|
| Standard conformity |   |
| Product standard    | EN 60947-5-2:2007<br>IEC 60947-5-2:2007 |

**Approvals and certificates**

|                  |  |
|------------------|--|
| Protection class | II, rated insulation voltage ≤ 250 V AC with pollution degree 1-2 according to IEC 60664-1                         |
| UL approval      | cULus Listed, Class 2 Power Source, Type 1 enclosure   |
| CCC approval     | Products with a maximum operating voltage of ≤36 V do not bear a CCC marking because they do not require approval. |

**Accessories****CPZ18B03**

Mounting Bracket with swivel nut

**BF 18**

Mounting flange, 18 mm

**BF 18-F**

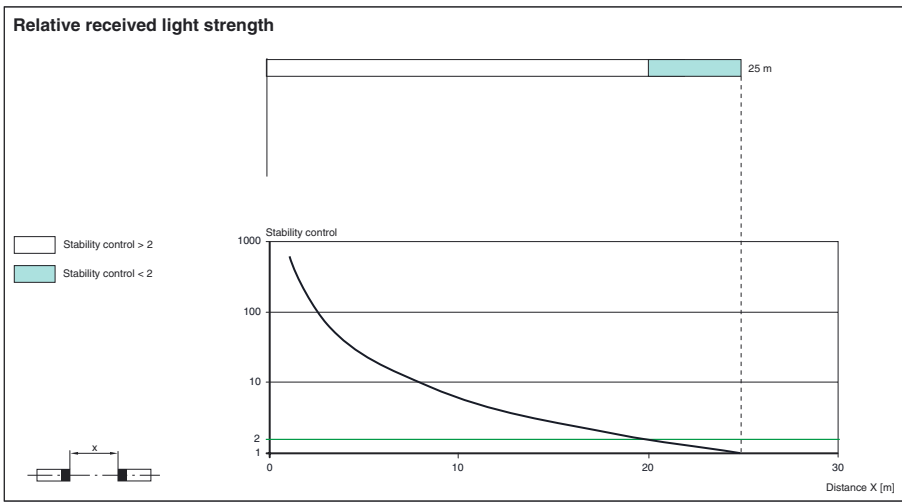
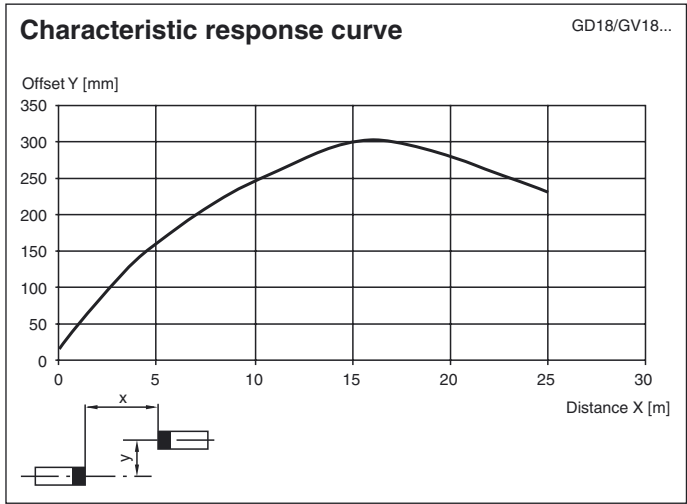
Mounting flange with dead stop, 18 mm

**BF 5-30**

Universal mounting bracket for cylindrical sensors with a diameter of 5 ... 30 mm

Other suitable accessories can be found at [www.pepperl-fuchs.com](http://www.pepperl-fuchs.com)

**Curves/Diagrams**



Release date: 2013-01-14 15:22 Date of issue: 2013-02-04 188549\_eng.xml