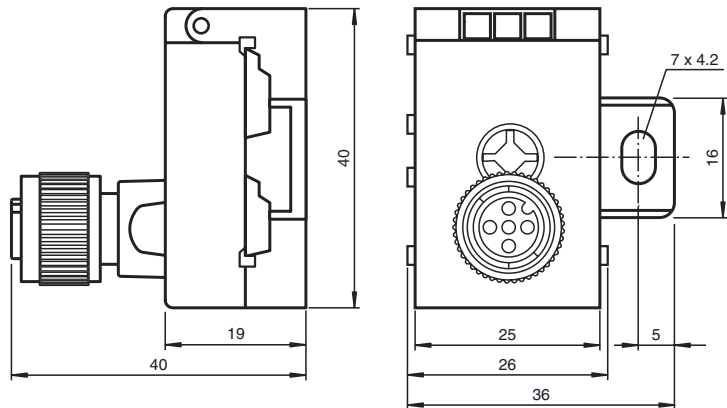




Dimensions



Model number

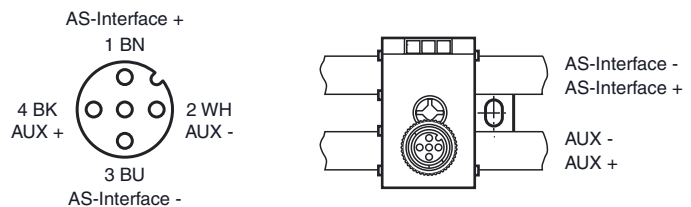
VAZ-2T1-FK-V1

Splitter box AS-Interface and auxiliary voltage to 1 x M12 round connector

Features

- Fixing component with captive screw
- Simple and fast mounting
- Gold plated contacts
- Housing made of fiberglass reinforced plastic
- Immunity to vibration

Electrical connection



Technical data

General specifications

Construction type	Socket, straight Flat cable terminals AS-Interface/ext. auxiliary voltage
-------------------	--

Electrical specifications

Rated operating voltage	$U_e \leq 35 \text{ V PELV (AS-Interface, } U_{\text{AUX}})$
Rated operating current	$I_e \leq 4 \text{ A}$
Surge protection	$U_{\text{AUX}}, U_{\text{in}}$: Over voltage category III, safe isolated power supplies (PELV)
Pulse withstand voltage	500 V

Electrical isolation

AUX/AS-Interface	safe isolation, Rated insulation voltage 40 V DC
------------------	--

Ambient conditions

Ambient temperature	-25 ... 75 °C (-13 ... 167 °F)
Storage temperature	-25 ... 85 °C (-13 ... 185 °F)
Pollution Degree	3

Mechanical specifications

Protection degree	IP67 / IP68 / IP69k
Connection	Plug connection: M12 x 1 socket (V1) Pin 1 AS-Interface+, Pin 3 AS-Interface- Pin 2 AUX-, Pin 4 AUX+ AS-Interface flat cable: Insulation penetration technology

Material	
Contacts	CuSn / Au
Housing	PA 66-GF25 Ultramid
Mass	30 g
Tightening torque, fastening screws	1.65 Nm

Compliance with standards and directives

Standard conformity	
Protection degree	EN 60529