



Model Number

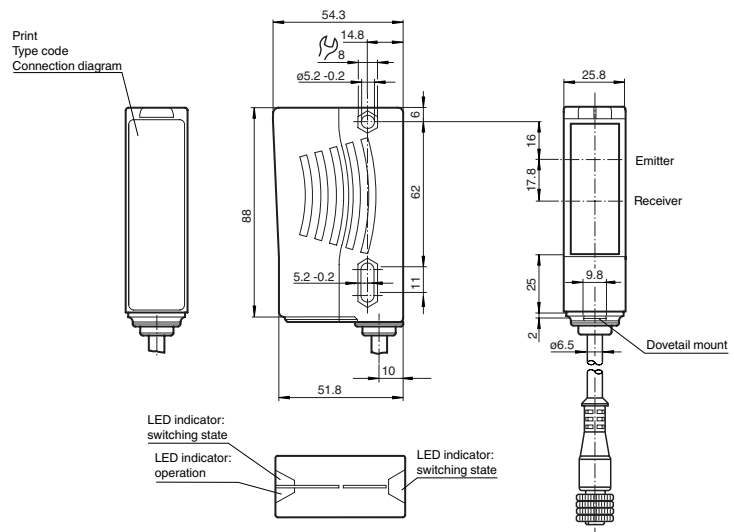
RL29-55/115b/136

Retroreflective sensor
with 0.2 m fixed cable and 4-pin, M12 connector

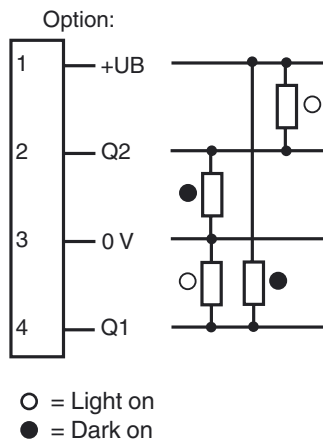
Features

- Highly visible LED
- Powerful push-pull output
- Optimal price/power ratio
- Protection class II

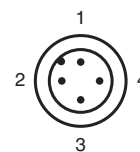
Dimensions



Electrical connection



Pinout



Release date: 2012-11-22 13:16 Date of issue: 2012-11-22 190184_eng.xml

Technical data**General specifications**

Effective detection range	0.1 ... 7 m
Threshold detection range	10 m
Reference target	H85 reflector
Light source	LED, 660 nm
Light type	modulated visible red light
Approvals	CE, cULus Listed 57M3 (Only in association with UL Class 2 power supply; Type 1 enclosure)
Diameter of the light spot	approx. 150 mm at a distance of 7 m
Angle of divergence	Emitter: 1.2 °, Receiver: 2 °
Ambient light limit	80000 Lux

Functional safety related parameters

MTTF _d	1982.2 a
Mission Time (T _M)	20 a
Diagnostic Coverage (DC)	0 %

Indicators/operating means

Function display	LED yellow, light with free light beam, flashes when falling short of the stability control
------------------	---

Electrical specifications

Operating voltage	U _B	10 ... 30 V DC, class 2
Ripple		10 %
No-load supply current	I ₀	≤ 40 mA

Output

Switching type	dark on	
Signal output	2 push-pull (4 in 1) outputs, short-circuit protected, reverse polarity protected	
Switching voltage	max. 30 V DC	
Switching current	max. 100 mA	
Switching frequency	f	500 Hz
Response time		1 ms

Ambient conditions

Ambient temperature	-25 ... 60 °C (-13 ... 140 °F)
Storage temperature	-40 ... 75 °C (-40 ... 167 °F)

Mechanical specifications

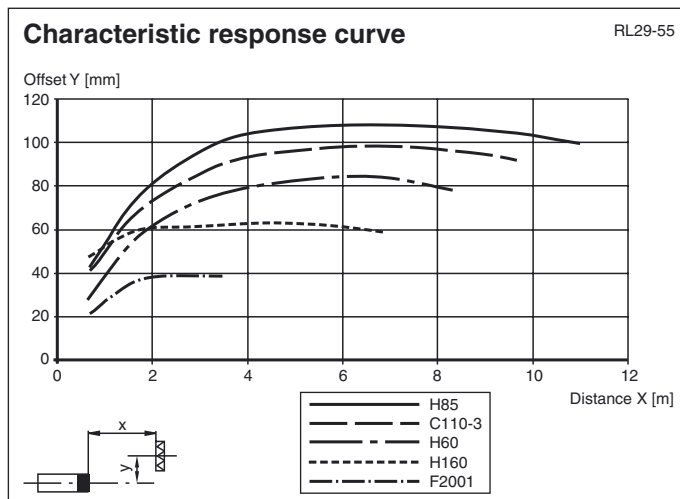
Protection degree	IP65
Connection	0.2 m fixed cable with 4-pin, M12 connector
Material	
Housing	Plastic ABS
Optical face	plastic
Mass	90 g

Compliance with standards and directives

Directive conformity	
EMC Directive 2004/108/EC	EN 60947-5-2:2007

Approvals and certificates

UL approval	cULus Listed, Class 2 Power Source, Type 1 enclosure
CCC approval	Products with a maximum operating voltage of ≤36 V do not bear a CCC marking because they do not require approval.

Curves/Diagrams**Accessories****OMH-05**

Mounting aid for round steel ø 12 mm or sheet 1.5 mm ... 3 mm

OMH-07

Mounting aid for round steel ø 12 mm or sheet 1.5 mm ... 3 mm

OMH-21

Mounting bracket

OMH-22

Mounting bracket

OMH-MLV11-K

dove tail mounting clamp

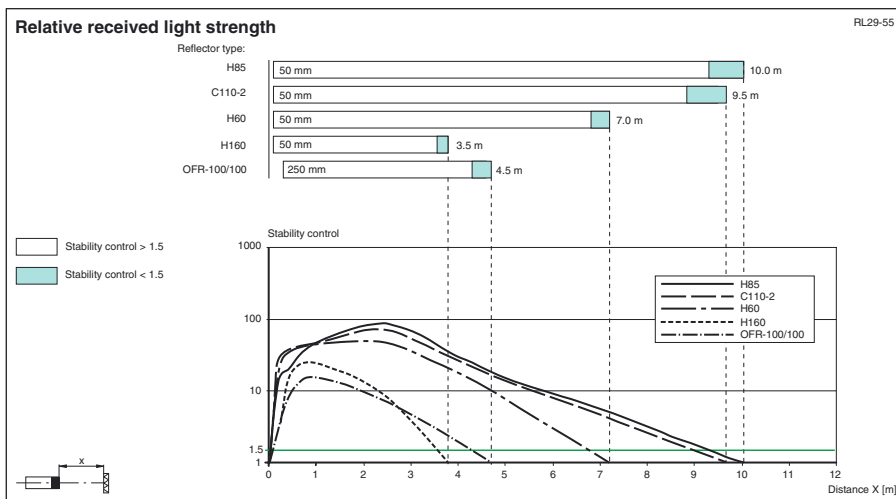
OMH-RLK29-HW

Mounting bracket for rear wall mounting

OMH-RL28-C

Weld slag cover model

Suitable reflectors and cable sockets can be found in the Internet



Release date: 2012-11-22 13:16 Date of issue: 2012-11-22 190184_eng.xml