



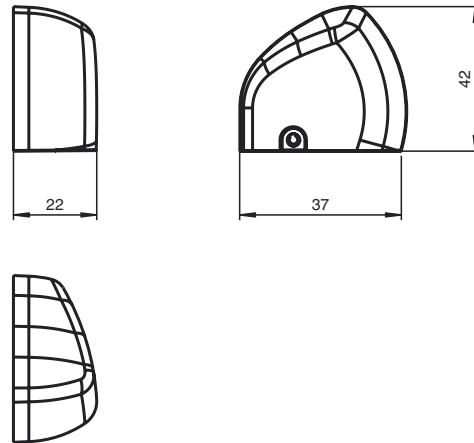
**Model Number**

**TopScan-S Cap Set**  
 End cover for TopScan-S aluminum profile section

**Features**

- End cover for series TopScan-S aluminum profile section

**Dimensions**



**Technical data**

<b>Ambient conditions</b>	
Ambient temperature	-10 ... 50 °C (14 ... 122 °F)
<b>Mechanical specifications</b>	
Material	plastic
Mass	approx. 4 g
<b>General information</b>	
Packing unit	2
<b>Suitable series</b>	
Series	TopScan-S

Release date: 2013-09-20 16:21 Date of issue: 2013-09-20 193734\_eng.xml

Refer to "General Notes Relating to Pepperl+Fuchs Product Information".

Pepperl+Fuchs Group  
 www.pepperl-fuchs.com

USA: +1 330 486 0001  
 fa-info@us.pepperl-fuchs.com

Germany: +49 621 776 4411  
 fa-info@de.pepperl-fuchs.com

Singapore: +65 6779 9091  
 fa-info@sg.pepperl-fuchs.com