



### Model Number

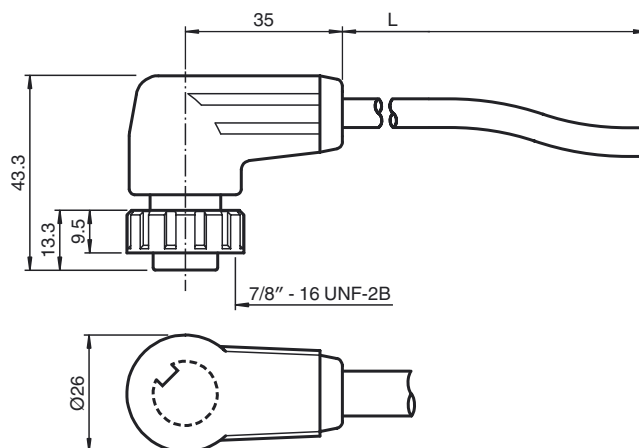
**V95-W-5M-PVC**

Female cordset, 7/8", 5-pin, PVC cable

### Features

- Self-locking threaded joint

### Dimensions



### Technical data

#### General specifications

Number of pins	5
Connection 1	socket
Construction type 1	right angle
Threading 1	7/8"
Connection 2	cable end

#### Electrical specifications

Operating voltage	$U_B$	max. 250 V AC/DC
Operating current		max. 9 A
Volume resistance		< 5 m $\Omega$

#### Ambient conditions

Ambient temperature	5 ... 90 °C (41 ... 194 °F) active
	-40 ... 90 °C (-40 ... 194 °F) fixed
Pollution Degree	3

#### Mechanical specifications

Degree of protection	IP68 (2 hrs at 10 bar)
----------------------	------------------------

#### Material

Contacts	CuZn, silver-plated
Contact surface	Au
Body	TPU, orange
Cable	PVC
Slotted nut	PA

#### Cable

Sheath diameter	$\varnothing$ 6.8 mm
Bending radius	> 5 x cable diameter, fixed > 10 x cable diameter, moving
Color	orange
Cores	5 x 0.5 mm <sup>2</sup>
Conductor construction	16 x 0.2 mm $\varnothing$
Length	L 5 m

### Electrical connection

