



Model Number

TopScan-S Cover L1400

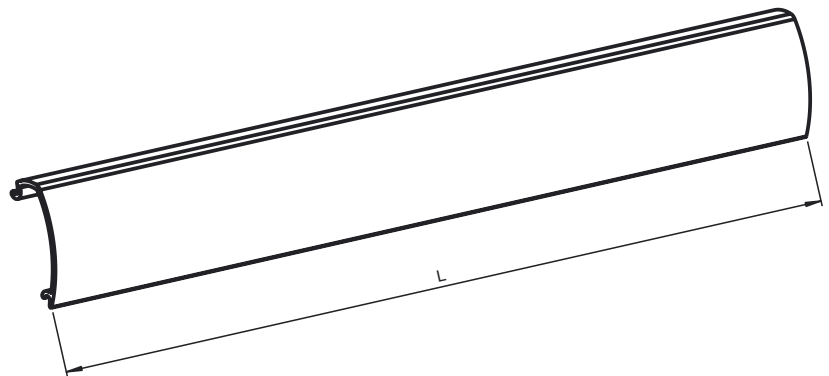
Housing cover TopScan-S

Features

- Profile cover for aluminum profile for TopScan-S Series
- Länge 1400 mm

for TopScan-S device version with 1400 mm profile-section length

Dimensions



Technical data

Ambient conditions

Ambient temperature -20 ... 60 °C (-4 ... 140 °F)

Mechanical specifications

Housing length L 1400 mm

Material PMMA

Suitable series

Series TopScan-S

Release date: 2013-09-20 16:14 Date of issue: 2013-10-07 19:49_eng.xml